



C.ME

Specification Guide

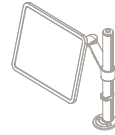
C.ME

Designed considering user friendly operation, simple clean lines, and environmental focus, the C.ME Monitor Arm is available as a single arm, dual arm, triple arm, or quad arm support in two colour options – white, silver and black.

C.ME

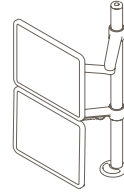
Standard Height

7



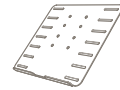
Extended Height

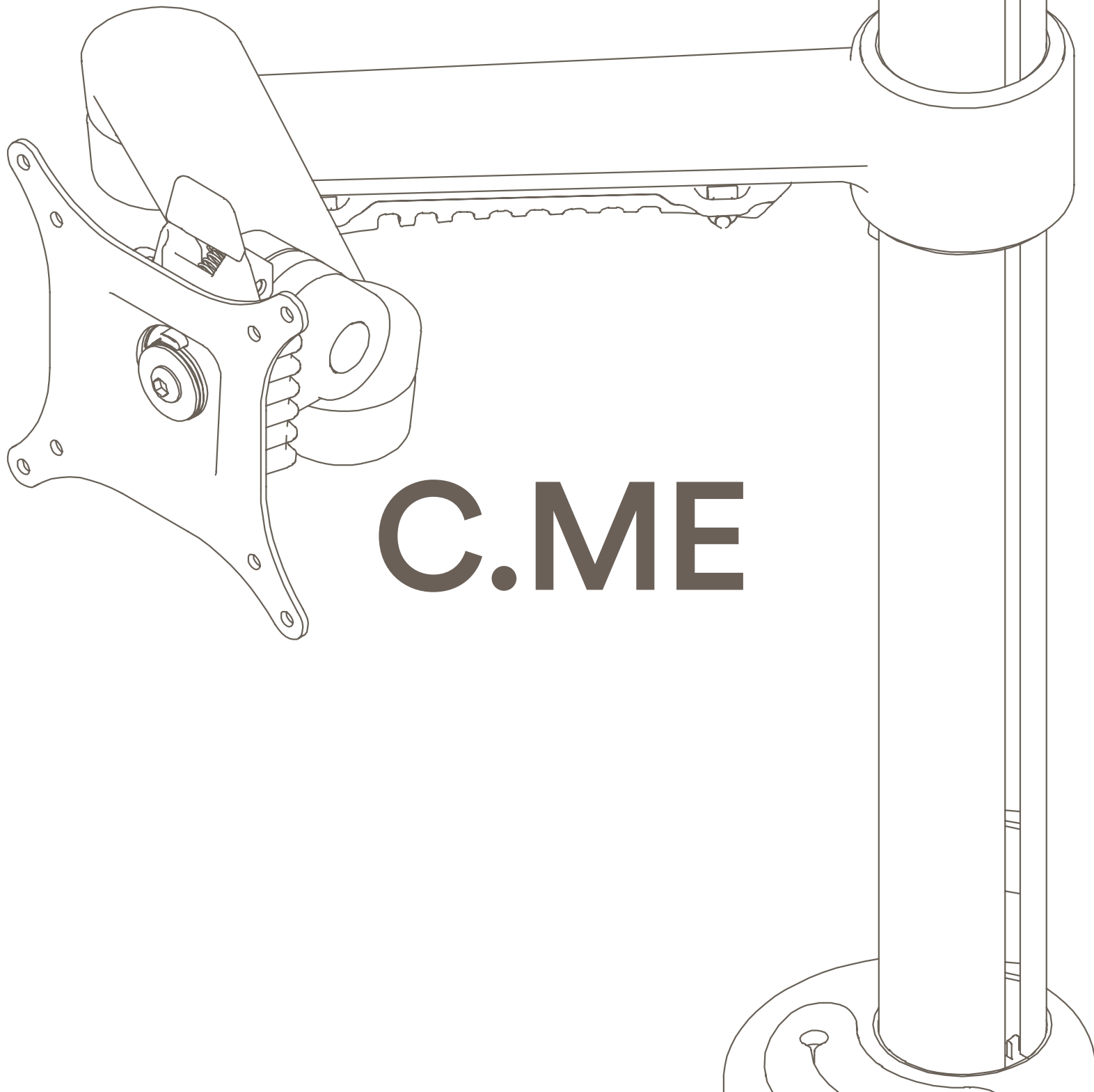
8



Accessories

9–10





C.ME

C.ME Finishes

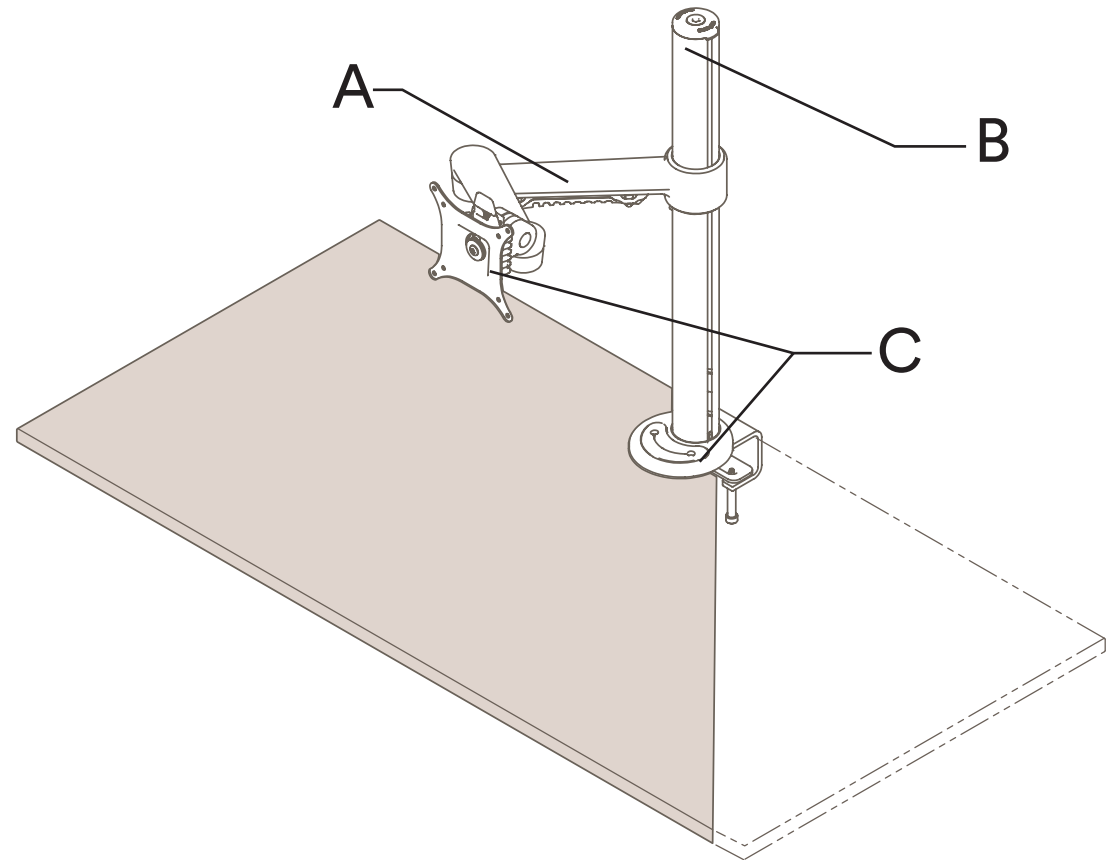
1. White

- a. Pearl White Arm
- b. Silver Anodized Post
- c. White Trim



2. Black

- a. Matte Black Arm
- b. Black Anodized Post
- c. Black Trim



Colours are representative only, please check with your Thinking Works consultant to view samples of any specific colour.

C.ME Specifications

Materials Information

Arm

Aluminium

- a. Pearl White Powder Coat
- b. Black Powder Coat

Post

Anodized Aluminium

- a. Matte Black
- b. Silver

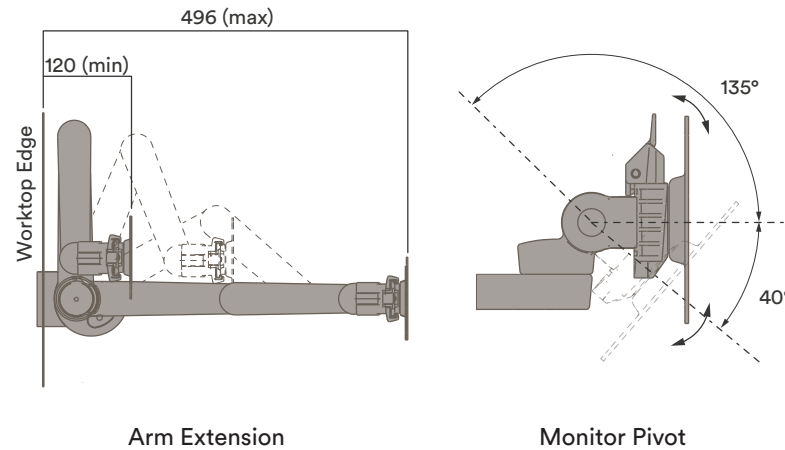
Trim Detailing

- a. Black
- b. White

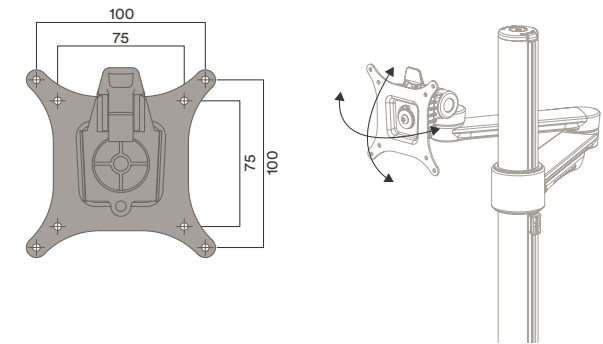
Vesa Mounting Bracket

- a. Black
- b. White

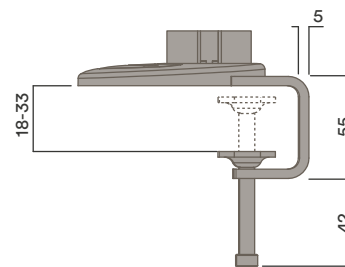
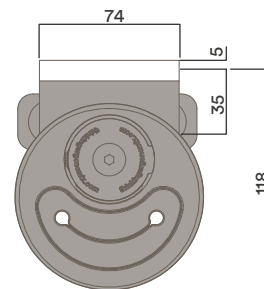
C.ME Arm Range of Motion



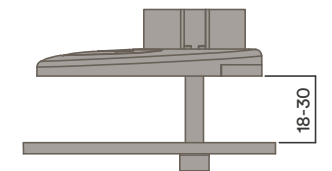
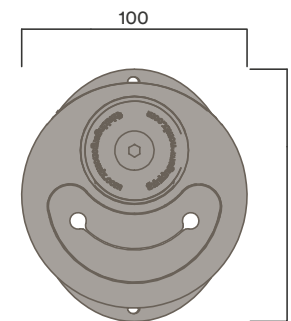
Monitor Mounting Hole Pitch



Option 1: Desk Clamp



Option 2: Bolt Through



- Desk Clamp Suits 18-33mm thick Worktops
- Bolt Through Suits 18-30mm thick Worktops

Monitor Arm System Standard Height

Materials Information

Arm

Aluminium

- a. Pearl White Powder Coat
- b. Black Powder Coat

Post

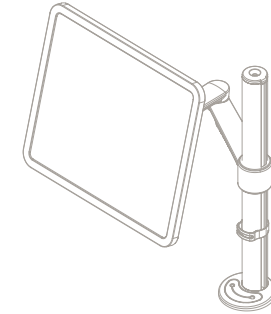
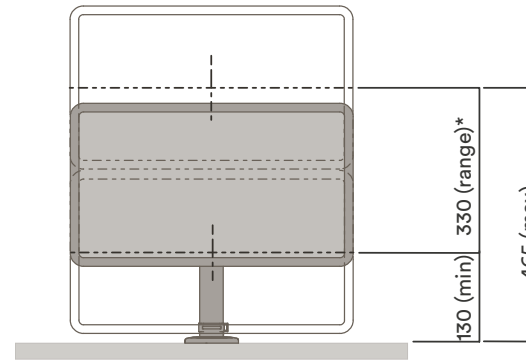
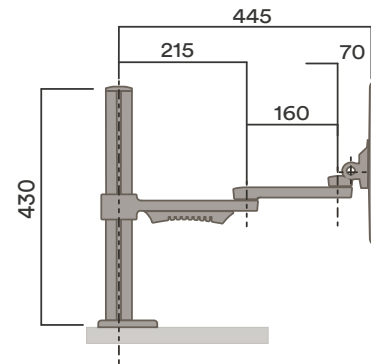
Anodized Aluminium

- a. Matte Black
- b. Silver

Trim Detailing

- a. Black
- b. White

OTS-MA-1100

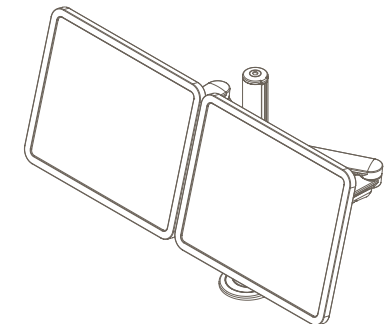
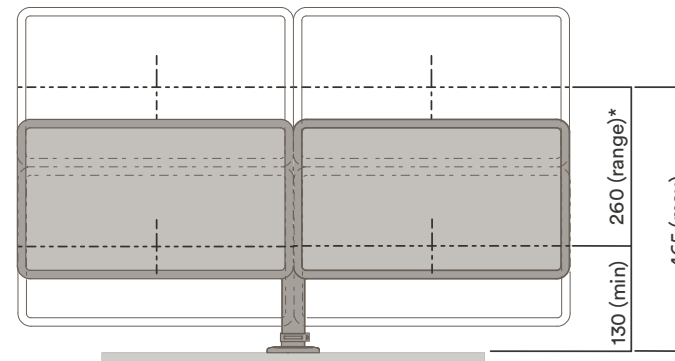
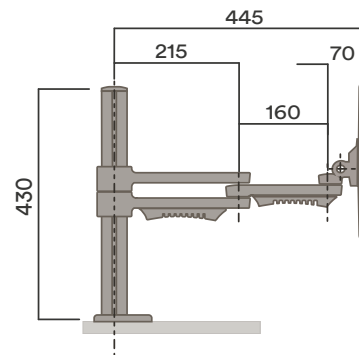


Vesa Mounting Bracket

- a. Black
- b. White

Weight Capacity	8kg per Arm
Maximum Screen Width	Single - Unlimited Double - 740mm each
Height Adjustment	Single - 330mm Double - 260mm
Monitor Mounting	Vesa Compliant Monitors (75 or 100mm square)
Worktop Thickness	Bolt Through - 18 - 30mm Desk Clamp - 18 - 33mm

OTS-MA-1200



*Range is dependant on number and size of monitors.
Lowest position shown has been calculated with 15" monitor.

Monitor Arm System Extended Height

Materials Information

Arm

Aluminium

- a. Pearl White Powder Coat
- b. Black Powder Coat

Post

Anodized Aluminium

- a. Matte Black
- b. Silver

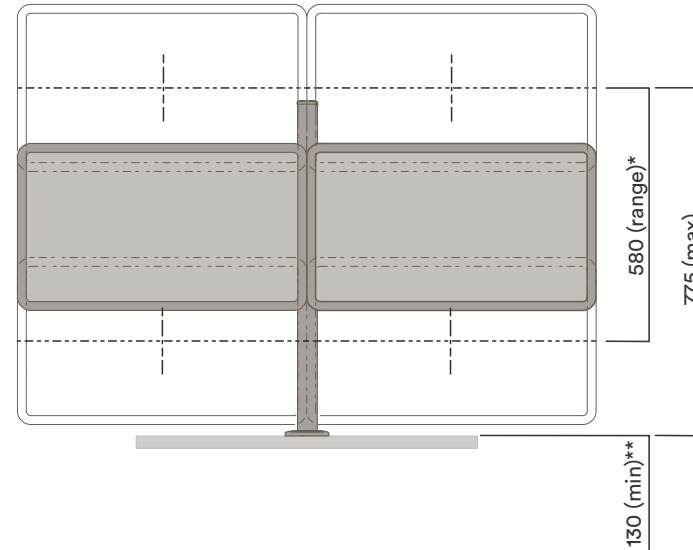
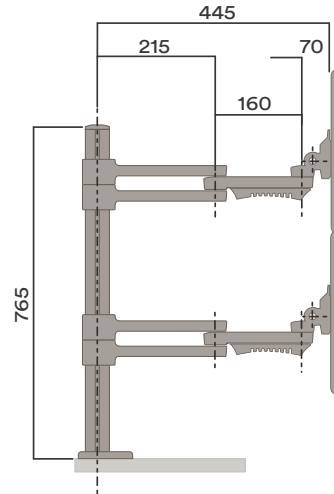
Trim Detailing

- a. Black
- b. White

Vesa Mounting Bracket

- a. Black
- b. White

Arm Configuration



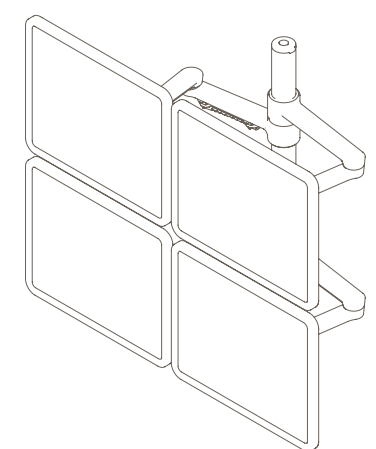
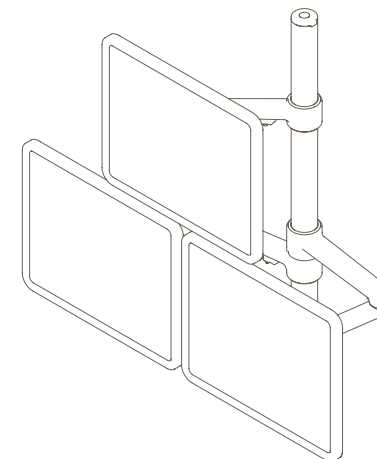
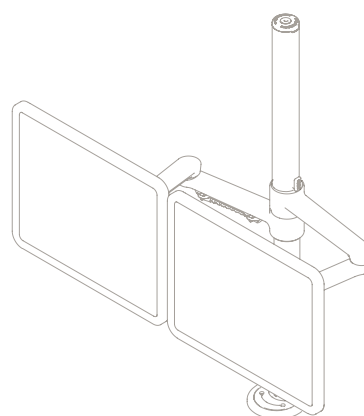
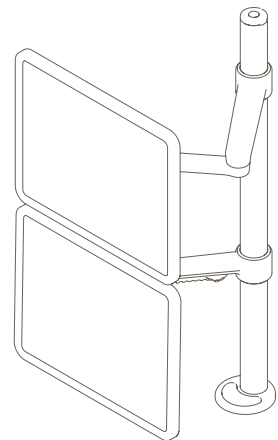
OTS-MA-1400

OTS-MA-1250

OTS-MA-1500

OTS-MA-1600

Weight Capacity	8kg per Arm
Maximum Screen Width	Single - Unlimited Double - 740mm each
Height Adjustment *	Range dependent on number and size of monitors
Monitor Mounting	All Vesa Compliant Monitors (75 or 100mm square)
Worktop Thickness	Bolt Through - 18 - 30mm Desk Clamp - 18 - 33mm



**Lowest position shown has been calculated with 15" monitor.

Monitor Arm System Accessories

Materials Information

Arm

Aluminium

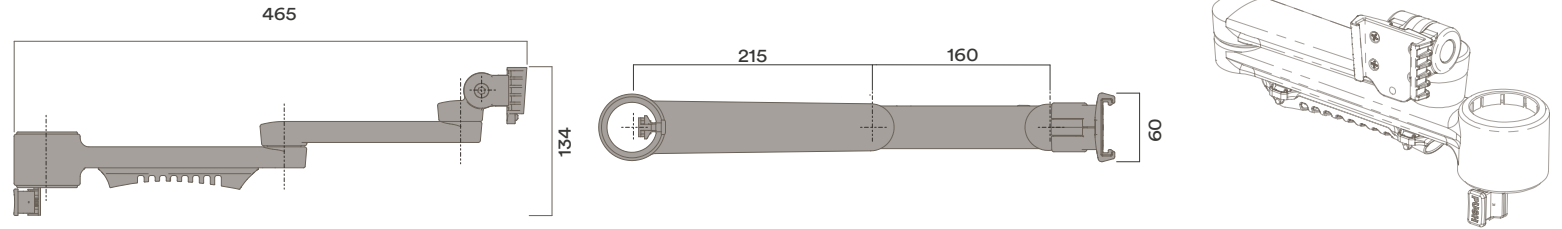
- a. Pearl White Powder Coat
- b. Black Powder Coat

Laptop Tray

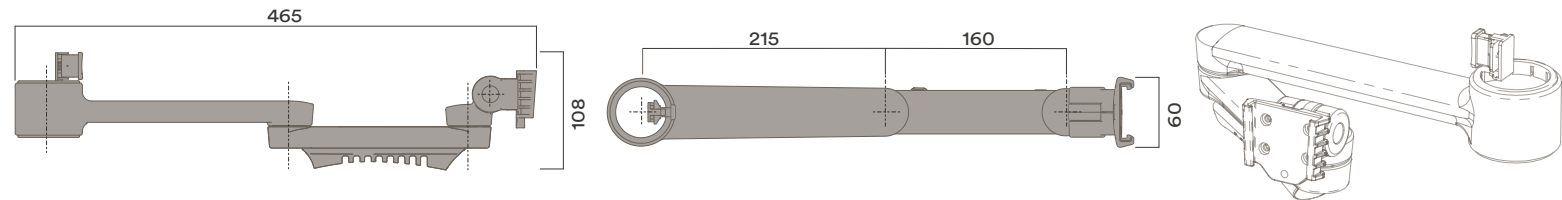
Steel Powder Coat

- a. Black
- b. White

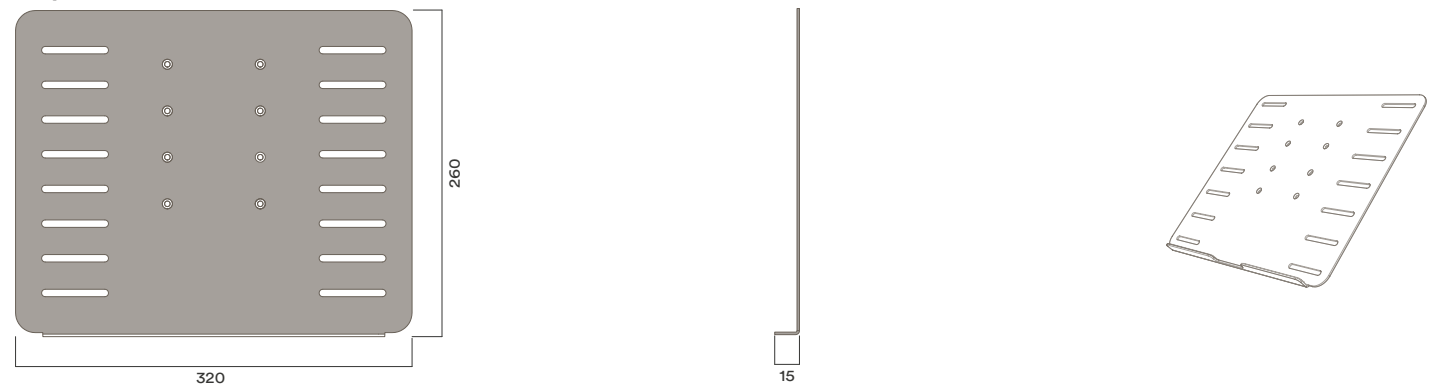
Primary Add-On Arm



Secondary Add-On Arm



Laptop Tray



Weight Capacity
Maximum Screen Width

8kg per Arm
Single - Unlimited
Double - 740mm each

Monitor Arm System Accessories

Materials Information

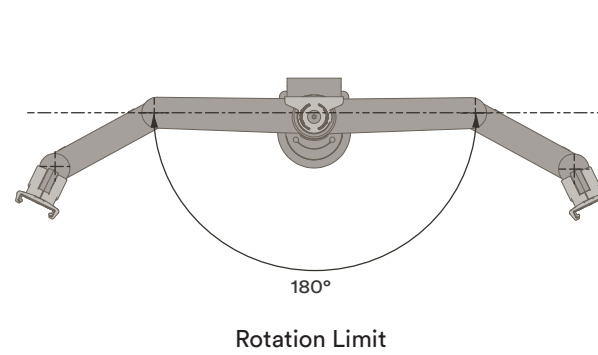
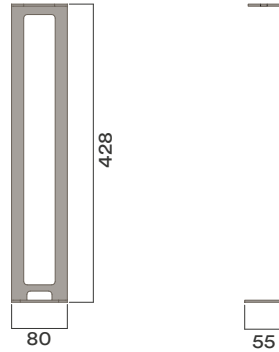
Rotation Limiter Kit

- a. White
- b. Black

Quick Release Vesa Mounting Replacement

- a. White
- b. Black

C.ME Monitor Arm Rotation Limiter Kit

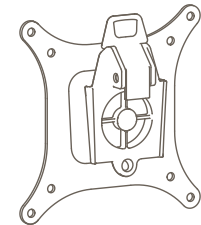
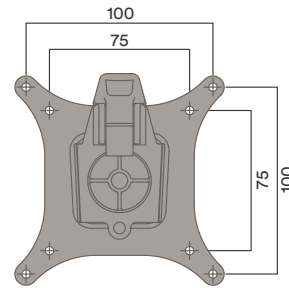


Extended Post

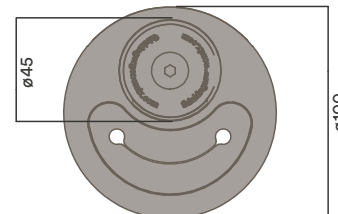
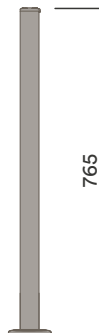
Anodized Aluminium

- a. Matte Black
- b. Silver

Quick Release Vesa Mounting Replacement



Extended Post





Specification

If you would like a sample set of any of our finishes, please call us on 61 (0)2 9726 7177 or e-mail at sales@thinkingw.com.

Due to our policy of continuous product development, specifications and finishes may change without prior notice.

Sustainability Policy

We realise the importance of responsible business practices and have in place numerous product and company sustainability certifications. We would encourage you to download our annual Sustainability Report from the Thinking Works website to get a full overview of our sustainability program.

Thinking Works
© Copyright 2018
All right reserved



www.sydneyofficefurniture.com.au