



EONA Chilli

Specification Guide

EONA Chilli

Stylish and sustainable,
EONA brings a new lease
of life.

Part of the EONA
modular table system
family, EONA Chilli is
manufactured from
post-consumer recycled
materials, for outstanding
environmental credentials
without compromising on
stunning design.

EONA Chilli

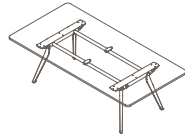
Round/Square

6



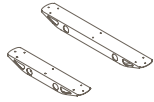
Rectangle

7-11



Features

12-13





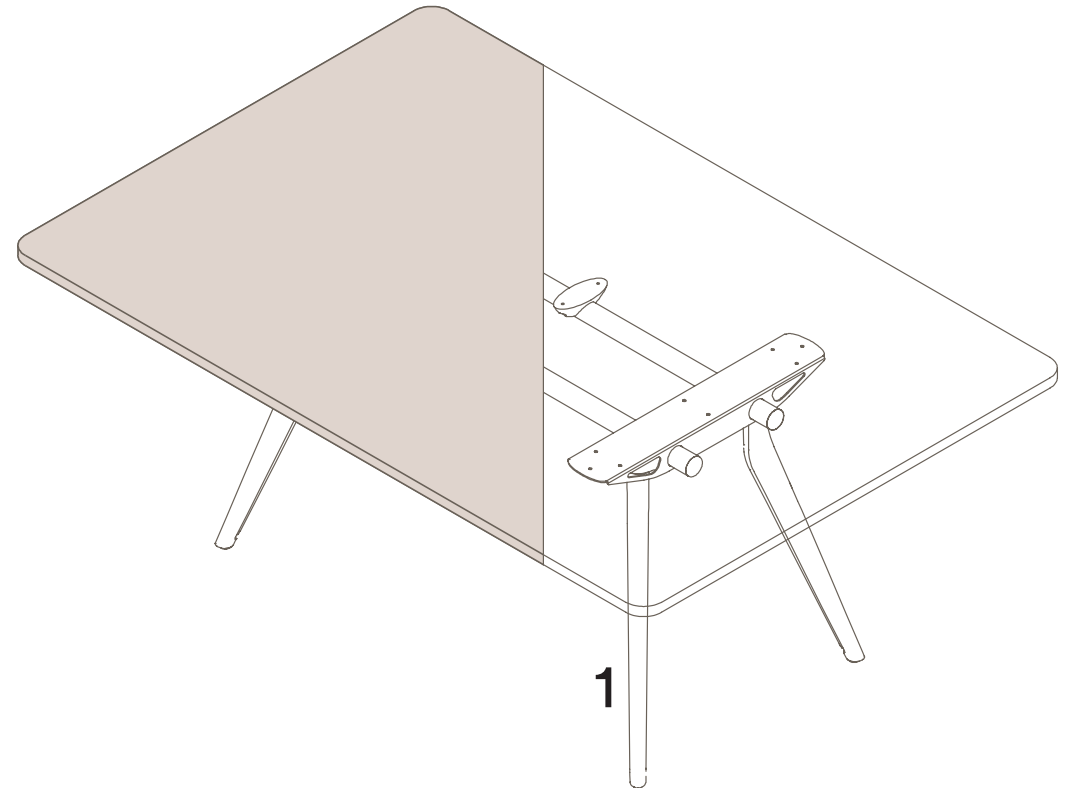
EONA Chilli

Table Finishes

EONA Chilli's timeless appeal makes it an eye-catching solution for the boardroom, conference or meeting room. Like the rest of its environmentally-friendly family, Chilli has been designed for 100% disassembly, making it ready for recycling.

1. Frame Finishes

Supported by steel framework, EONA Chilli legs are made from 100% post-consumer recycled aluminium, polished as standard. EONA Chilli is also available in our current season powdercoat colours listed. Custom colours are also available.



Colours are representative only, please check with your Thinking Works consultant to view samples of any specific colour.

Tables

Round / Square

Materials Information

Leg Finish

EONA Chilli Legs are made from 100% post-consumer recycled aluminium.

- a. Polished (standard)
- b. Blanc
- c. Noir
- d. Axel
- e. Folie
- f. Green Smoke
- g. Scotland Sky
- h. Minted
- i. Nocturnelle
- j. Pink Salt
- k. Zanilla

Frame Finish

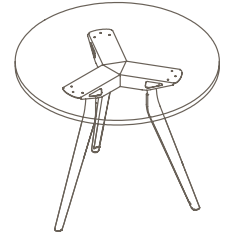
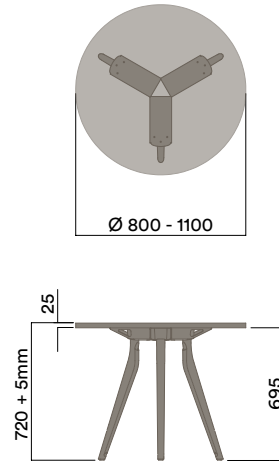
Steel Top Horn

- a. Polished Chrome

Maximum inc. worktop 90kg
 Maximum Point Load 30kg
 Seats 3-4

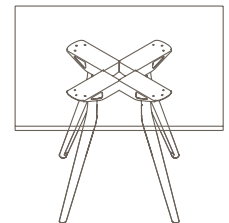
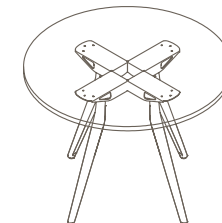
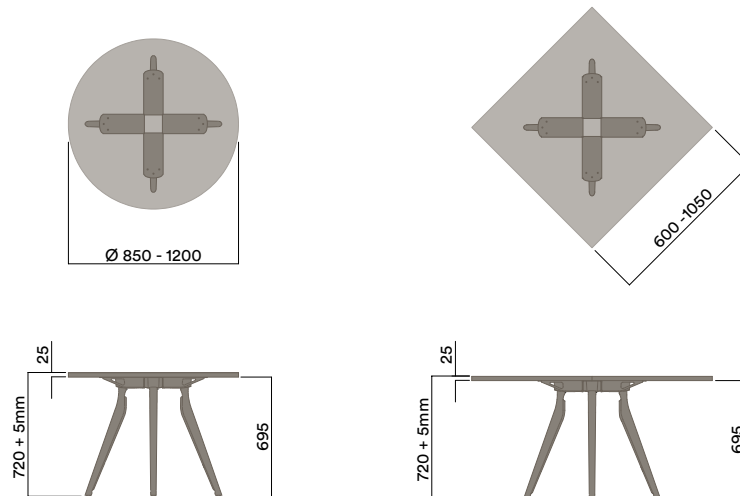
EC-3000

720 (standard Height)



EC-4000

720 (standard Height)



Tables

Rectangle

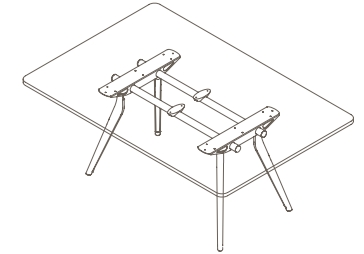
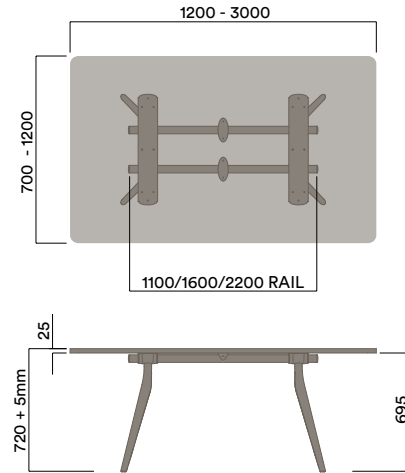
Materials Information

Leg Finish

EONA Chilli Legs are made from 100% post-consumer recycled aluminium.

- a. Polished (standard)
- b. Blanc
- c. Noir
- d. Axel
- e. Folie
- f. Green Smoke
- g. Scotland Sky
- h. Minted
- i. Nocturnelle
- j. Pink Salt
- k. Zanilla

EC-1211, EC-1216, EC-1222 720 (standard Height)

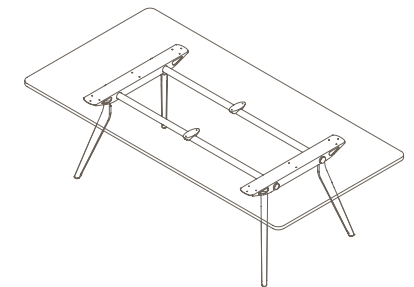
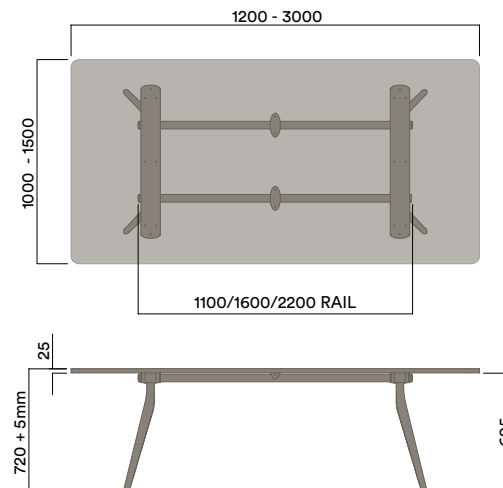


Frame Finish

Aluminium Top Horn

- a. Black Powdercoat

EC-1211-XL, EC-1216-XL, EC-1222-XL 720 (standard Height)



Maximum inc. worktop 100kg
 Maximum Point Load 30kg
 Seats 4 - 8

Tables

Rectangle

Materials Information

EC-1211-XXL, EC-1216-XXL, EC-1222-XXL 720 (standard Height)

Leg Finish

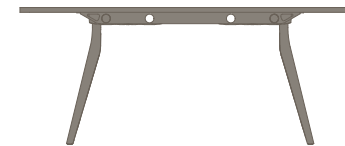
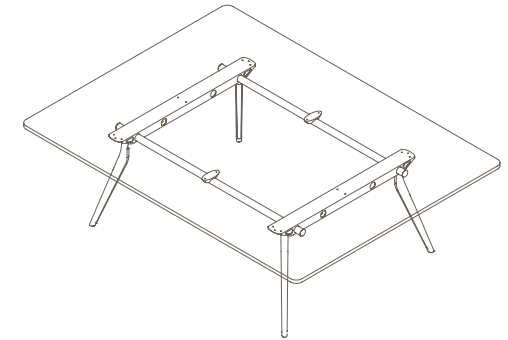
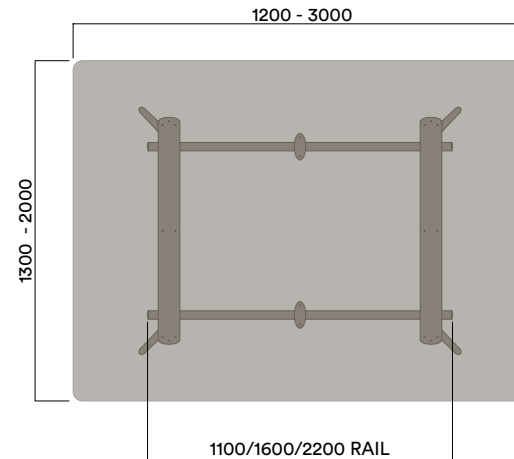
EONA Chilli Legs are made from 100% post-consumer recycled aluminium.

- a. Polished (standard)
- b. Blanc
- c. Noir
- d. Axel
- e. Folie
- f. Green Smoke
- g. Scotland Sky
- h. Minted
- i. Nocturnelle
- j. Pink Salt
- k. Zanilla

Frame Finish

Aluminium Top Horn

- a. Black Powdercoat



Maximum inc. worktop 100kg
Maximum Point Load 30kg
Seats 4 - 8

Tables

Rectangle

Materials Information

Leg Finish

EONA Chilli Legs are made from 100% post-consumer recycled aluminium.

- a. Polished (standard)
- b. Blanc
- c. Noir
- d. Axel
- e. Folie
- f. Green Smoke
- g. Scotland Sky
- h. Minted
- i. Nocturnelle
- j. Pink Salt
- k. Zanita

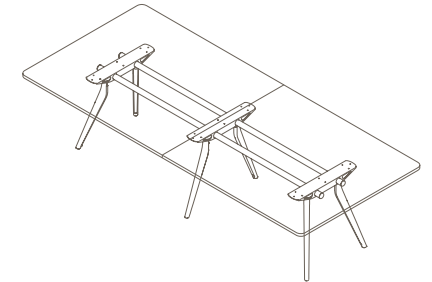
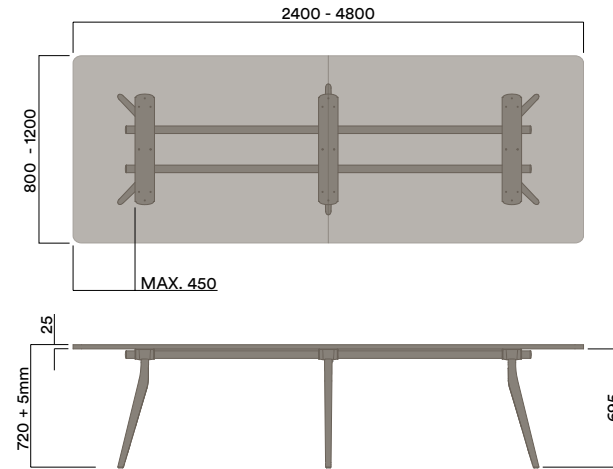
Frame Finish

Aluminium Top Horn

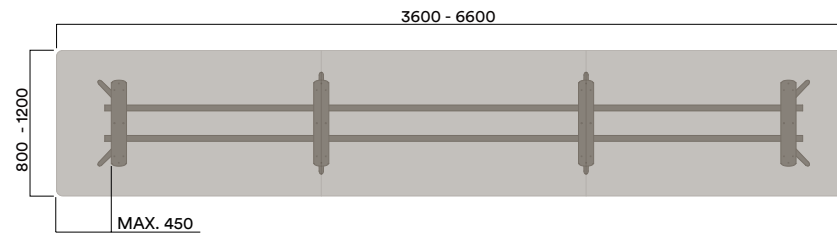
- a. Black Powdercoat

Maximum inc. worktop 160kg
 Maximum Point Load 30kg
 Seats 6 - 24

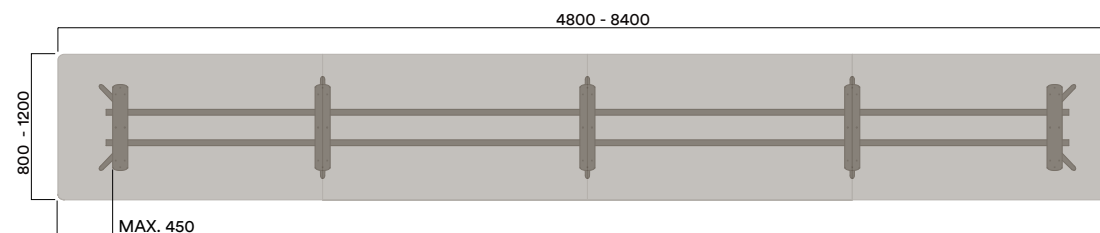
EC-1300 6 Leg



EC-1400 8 Leg



EC-1500 10 Leg



Tables

Rectangle

Materials Information

Leg Finish

EONA Chilli Legs are made from 100% post-consumer recycled aluminium.

- a. Polished (standard)
- b. Blanc
- c. Noir
- d. Axel
- e. Folie
- f. Green Smoke
- g. Scotland Sky
- h. Minted
- i. Nocturnelle
- j. Pink Salt
- k. Zanita

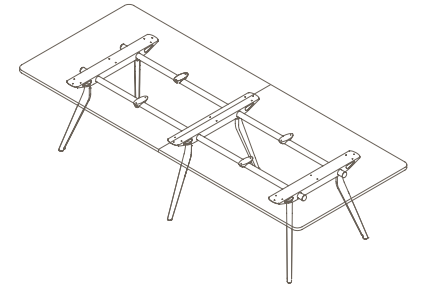
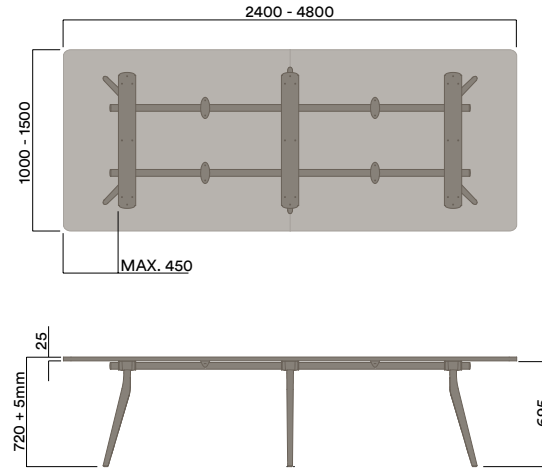
Frame Finish

Aluminium Top Horn

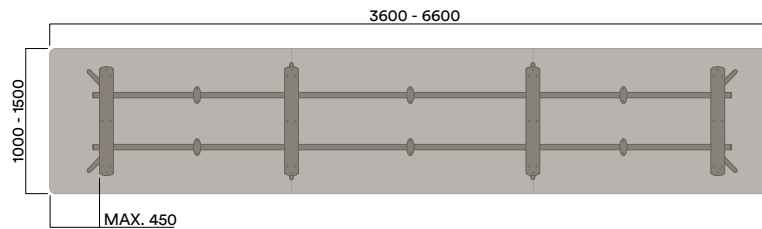
- a. Black Powdercoat

Maximum inc. worktop 160kg
 Maximum Point Load 30kg
 Seats 6 - 24

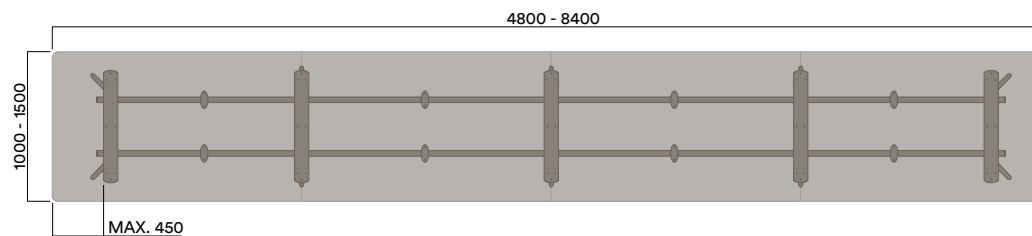
EC-1300-XL 6 Leg



EC-1400-XL 8 Leg



EC-1500-XL 10 Leg



Tables Rectangle

Materials Information

Leg Finish

EONA Chilli Legs are made from 100% post-consumer recycled aluminium.

- a. Polished (standard)
- b. Blanc
- c. Noir
- d. Axel
- e. Folie
- f. Green Smoke
- g. Scotland Sky
- h. Minted
- i. Nocturnelle
- j. Pink Salt
- k. Zanita

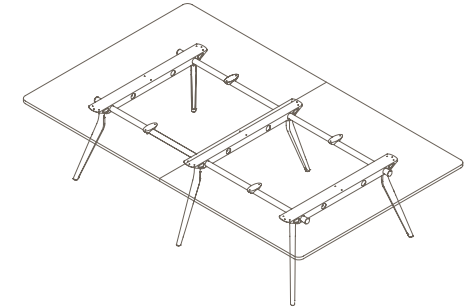
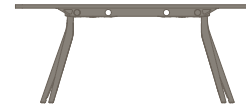
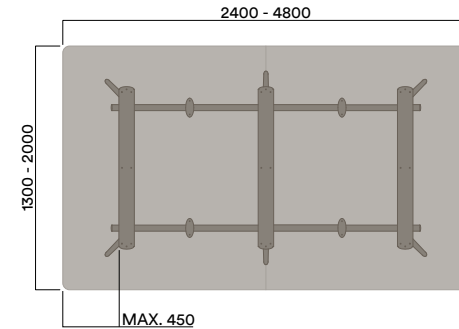
Frame Finish

Aluminium Top Horn

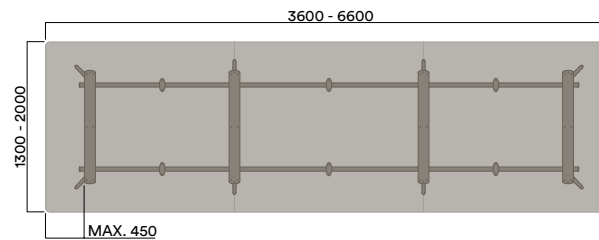
- a. Black Powdercoat

Maximum inc. worktop 160kg
 Maximum Point Load 30kg
 Seats 6 - 24

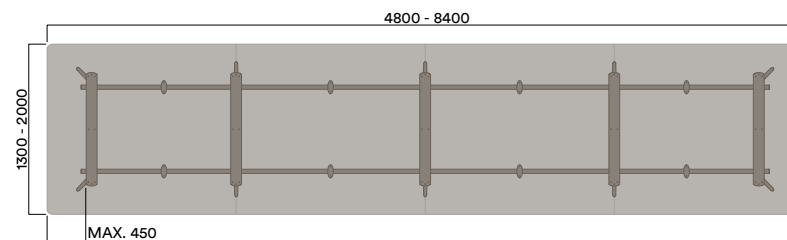
EC-1300-XXL 6 Leg



EC-1400-XXL 8 Leg



EC-1500-XXL 10 Leg



Tables Features

Materials Information

Leg Finish

EONA Chilli Legs are made from 100% post-consumer recycled aluminium.

- Polished (standard)
- Blanc
- Noir
- Axel
- Folie
- Green Smoke
- Scotland Sky
- Minted
- Nocturnelle
- Pink Salt
- Zanilla

Frame Finish

Aluminium Top Horn

- Black Powdercoat

Top Horns

Additional Top Horns can be purchased to provide adequate worktop support on odd worktop splits

Top Horns available to suit standard, XL and XXL width EONA Chilli frames

Dropdown Top Horns

Additional Dropdown Top Horns can be purchased to provide placement of powerboxes without frame interference

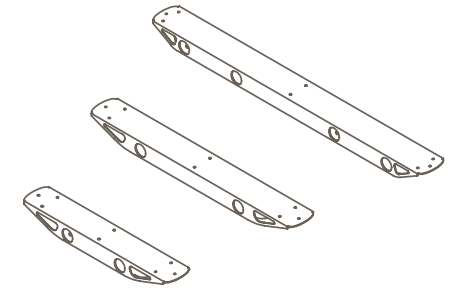
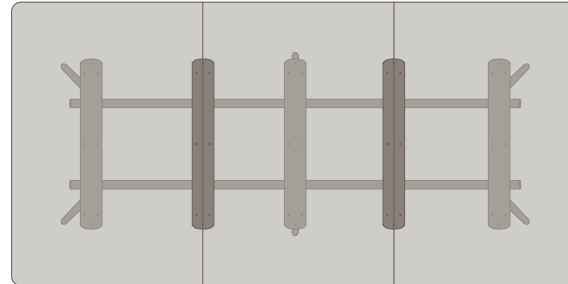
Standard and custom Dropdown Horns available upon request

Leg Stances

Stance of EONA Chilli legs can be installed at either narrow or wide stance at 3 angle options to suit odd worktop shapes and preferred leg clearances

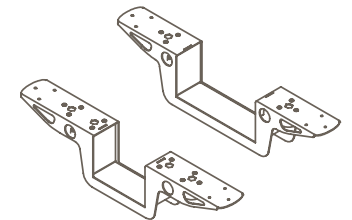
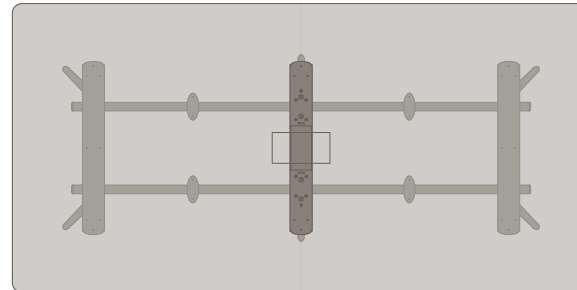
Worktop Management

Additional Top Horns



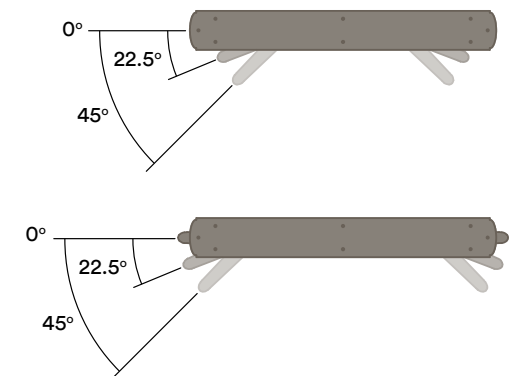
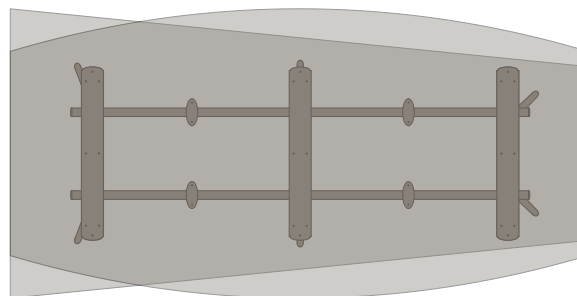
Powerbox Management

Dropdown Top Horn



Installation

Narrow - Wide Leg Stances



Tables Features

Materials Information

Leg Finish

EONA Chilli Legs are made from 100% post-consumer recycled aluminium.

- a. Polished (standard)
- b. Blanc
- c. Noir
- d. Axel
- e. Folie
- f. Green Smoke
- g. Scotland Sky
- h. Minted
- i. Nocturnelle
- j. Pink Salt
- k. Zanilla

Frame Finish

Aluminium Top Horn

- a. Black Powdercoat

Integrated Cable Management

EONA Chilli Legs allow for power and data leads to run from underside of worktop to the floor to provide concealed cable management

Cable Capacity

Segregated

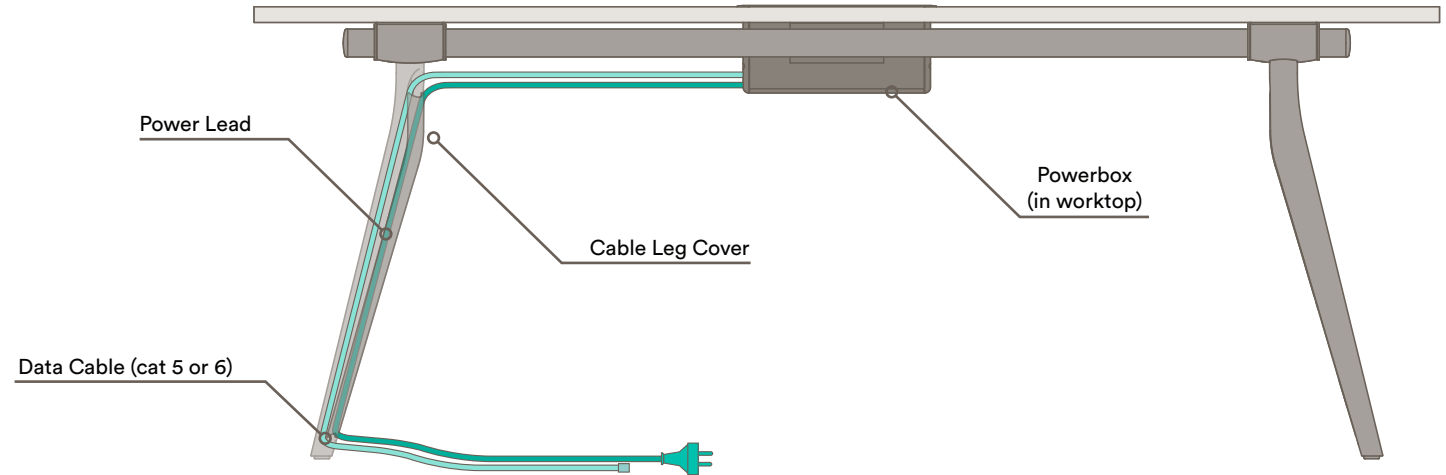
1x 16mm Plastic Power Conduit
2x 6mm Cat 5 and 6 Data Cable

Unsegregated

1x 12mm 20amp Power Cable
6x 6mm Cat 5 and 6 Data Cable

Cable Management

In-Leg Power + Data





Specification

Due to our policy of continuous product development, specifications and finishes may change without prior notice.

Sustainability Policy

We realise the importance of responsible business practices and have in place numerous product and company sustainability certifications. We would encourage you to download our annual Sustainability Report from the Thinking Works website to get a full overview of our sustainability program.

Thinking Works
© Copyright 2018
All right reserved