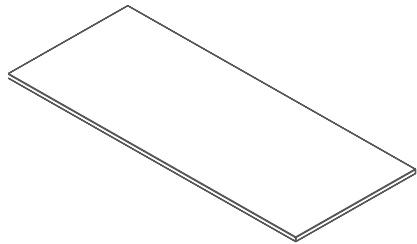


Flare 4 Leg Meeting Table

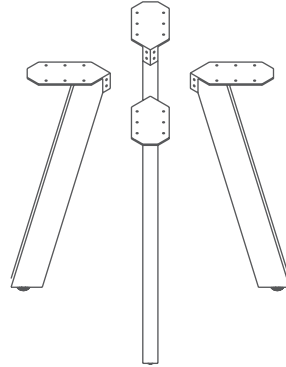
Assembly Instructions

Flare 4 Leg Meeting Table

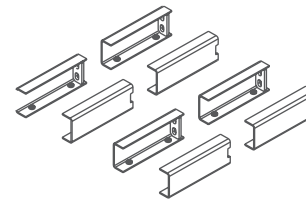
Components List



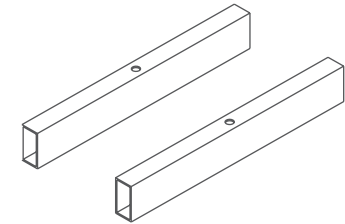
Axis Worktop



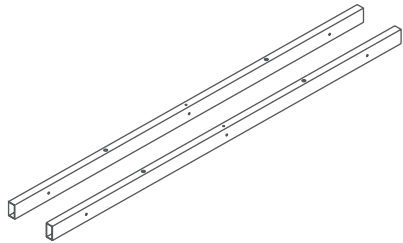
EL 4 x Flare End Legs
75° Angle



B 4 x Pair AXKDSPIGE



R1 2 x Short Rails



R2 2 x Long Rails



16 - M6 x 20



18 - M8 x 16



24 - ST5 x 23

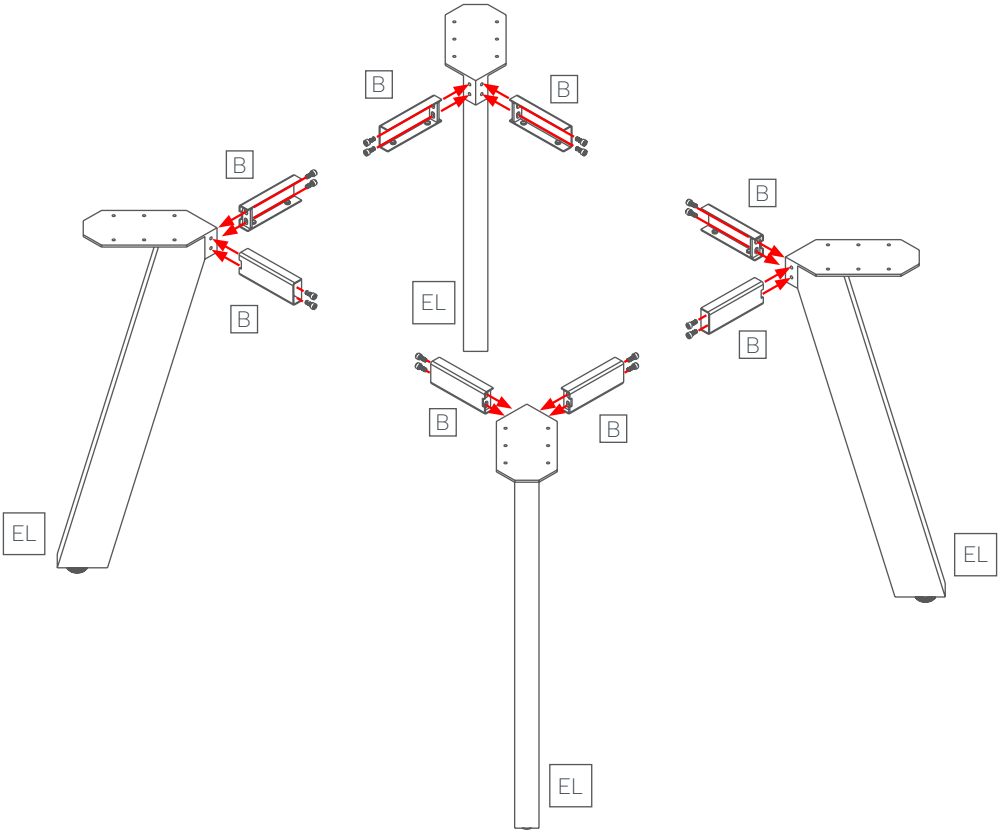
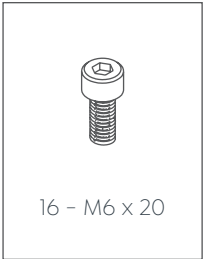


6 - ST5 x 70

Flare 4 Leg Meeting Table

Assembly Instructions

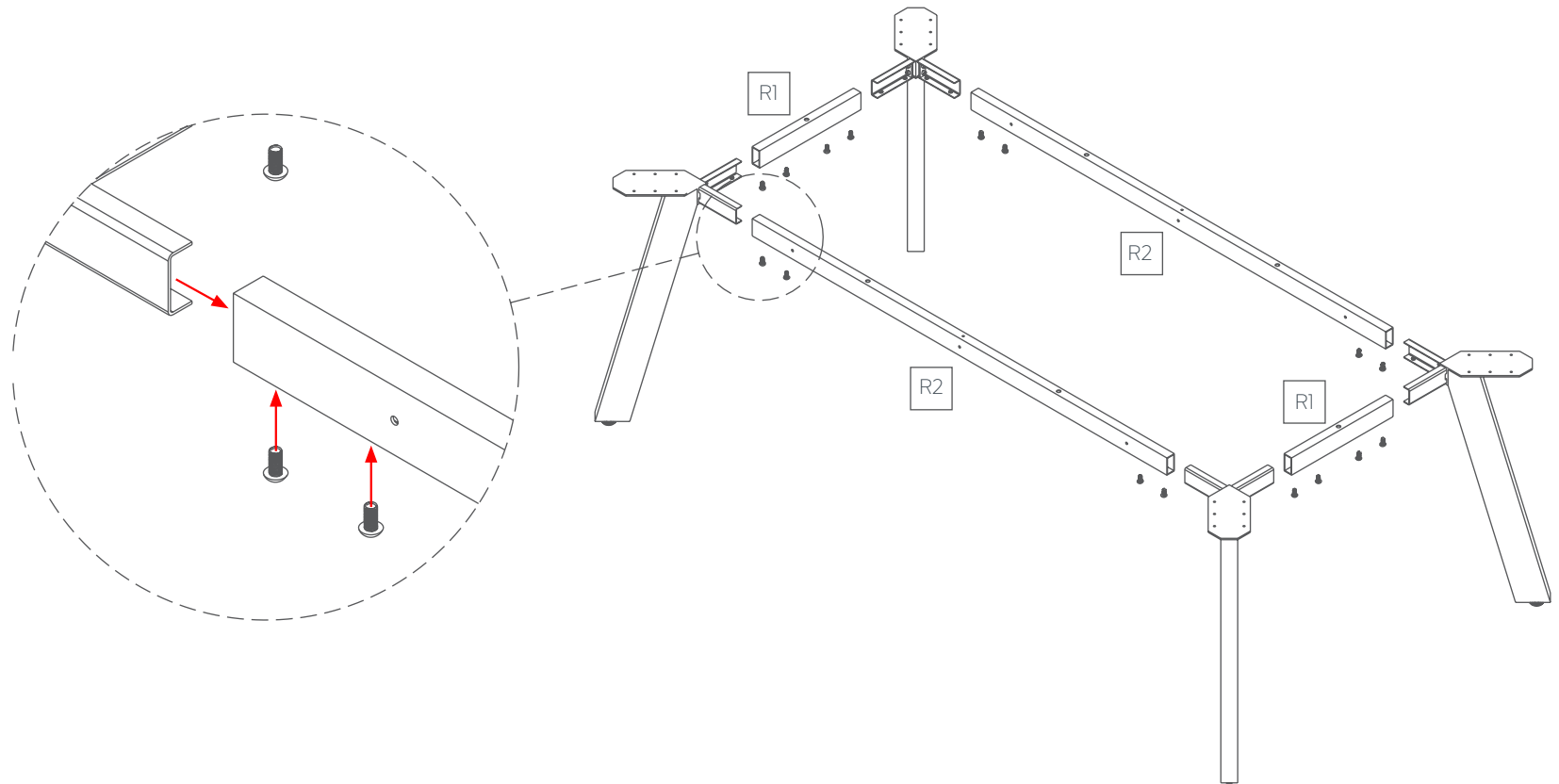
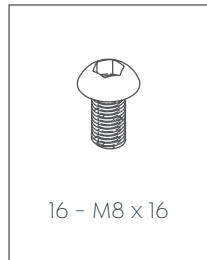
STEP 1:



Flare 4 Leg Meeting Table

Assembly Instructions

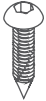
STEP 2:



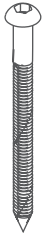
Flare 4 Leg Meeting Table

Assembly Instructions

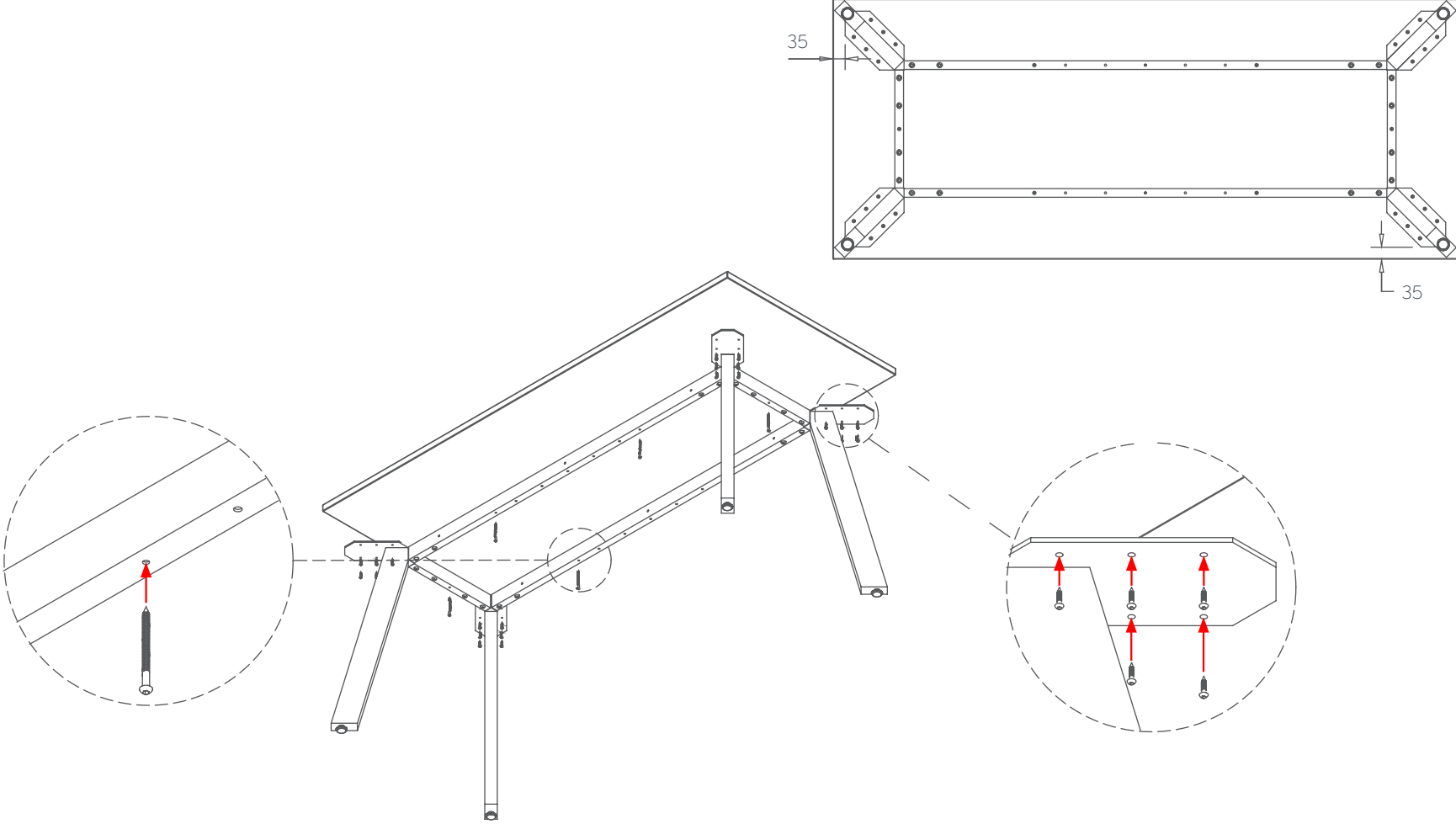
STEP 3:



24 - ST5 x 23



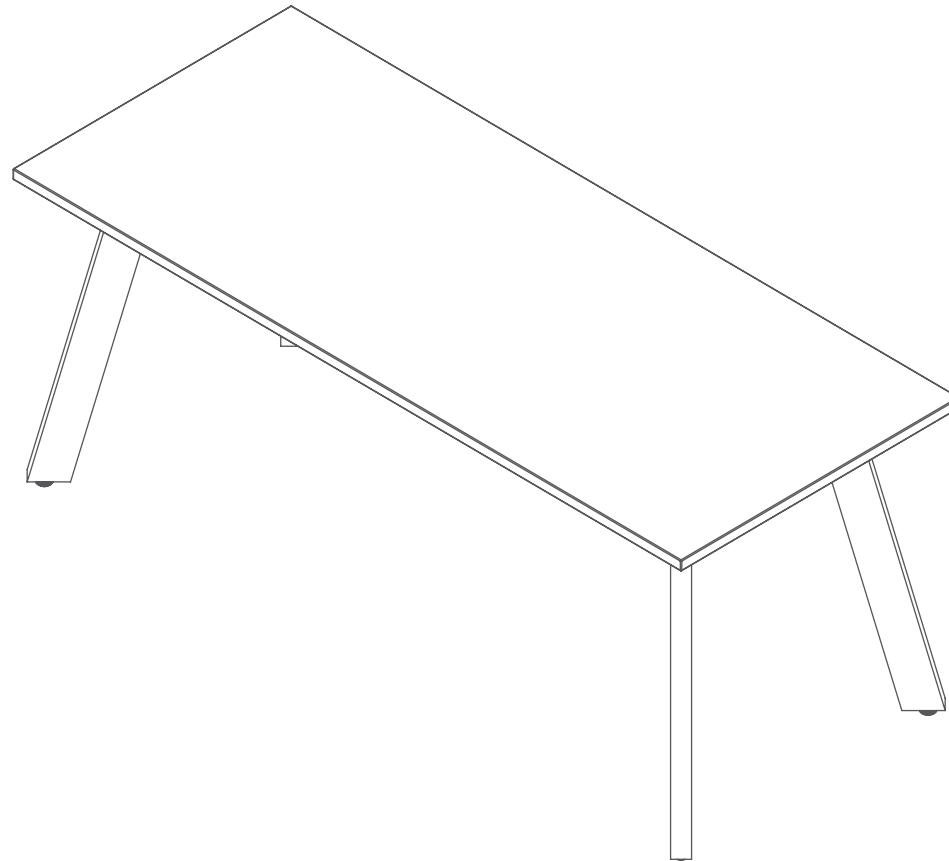
6 - ST5 x 70



Flare 4 Leg Meeting Table

Assembly Instructions

Complete:



www.sydneyofficefurniture.com.au

