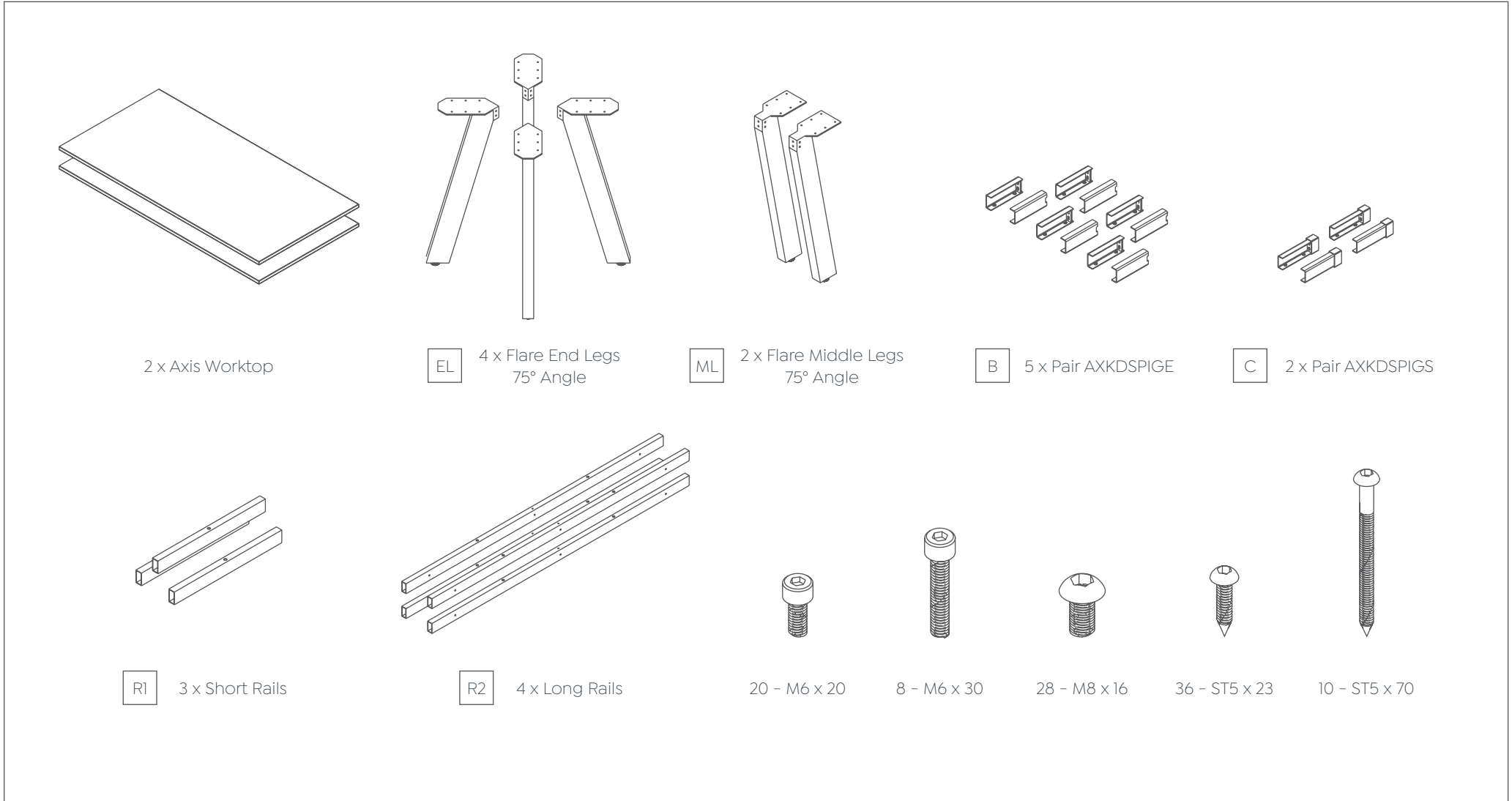


Flare 6 Leg Meeting Table

Assembly Instructions

Flare 6 Leg Meeting Table

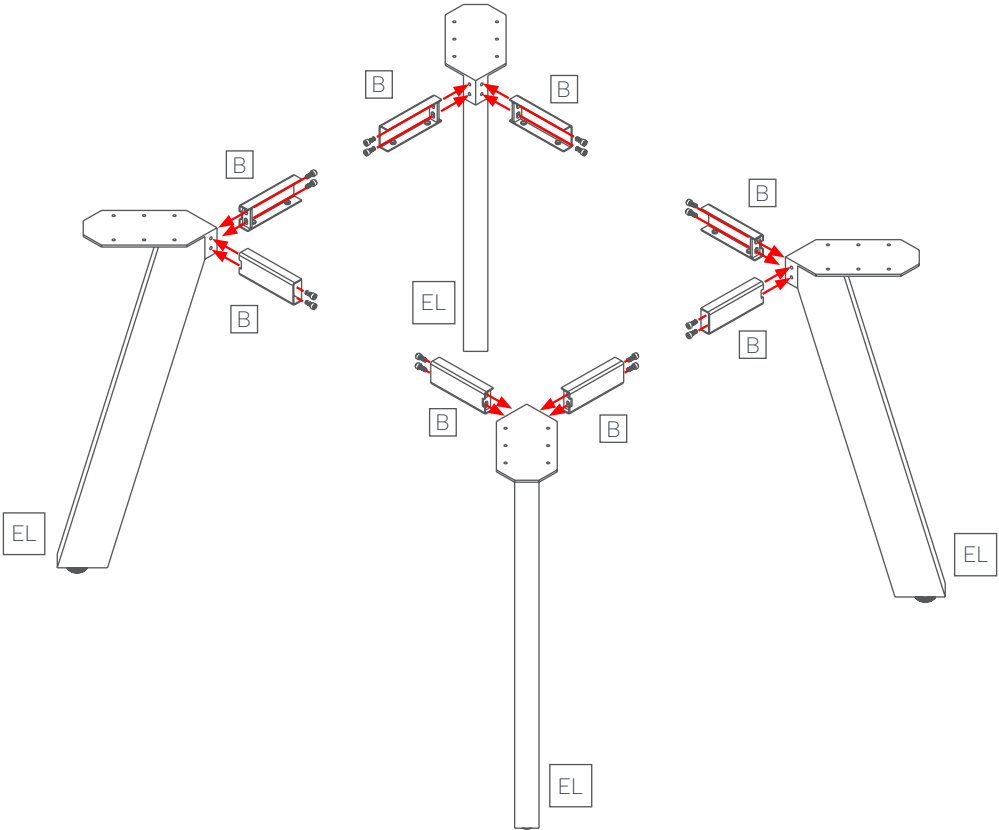
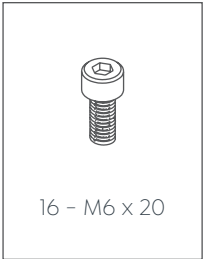
Components List



Flare 6 Leg Meeting Table

Assembly Instructions

STEP 1:



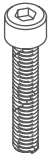
Flare 6 Leg Meeting Table

Assembly Instructions

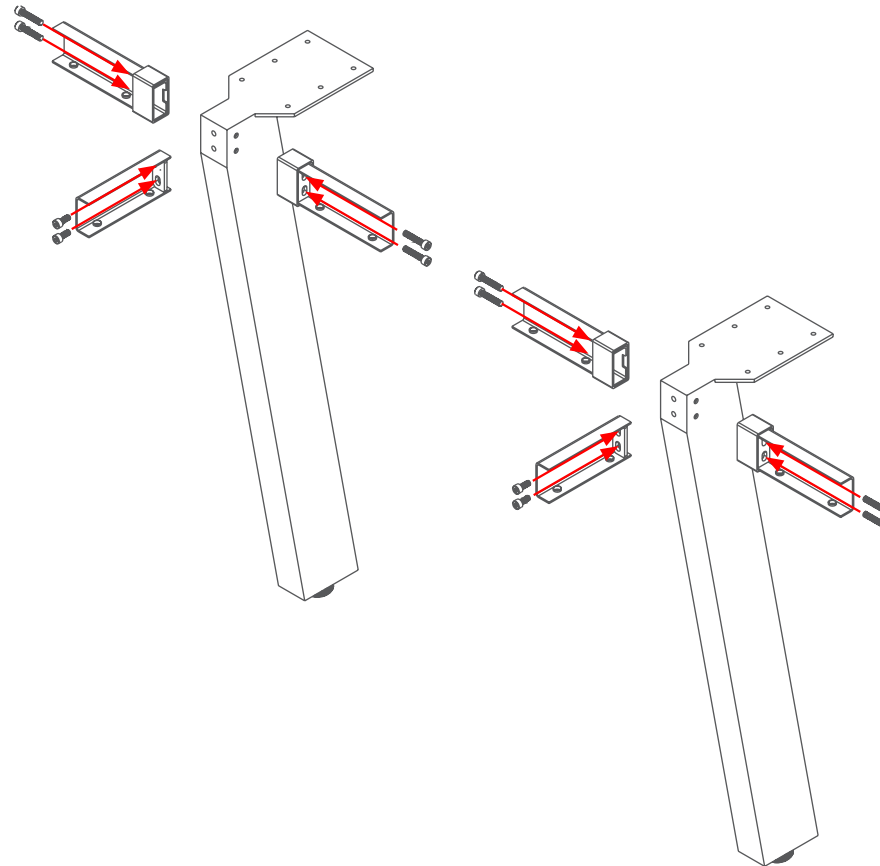
STEP 2:



4 - M6 x 20mm



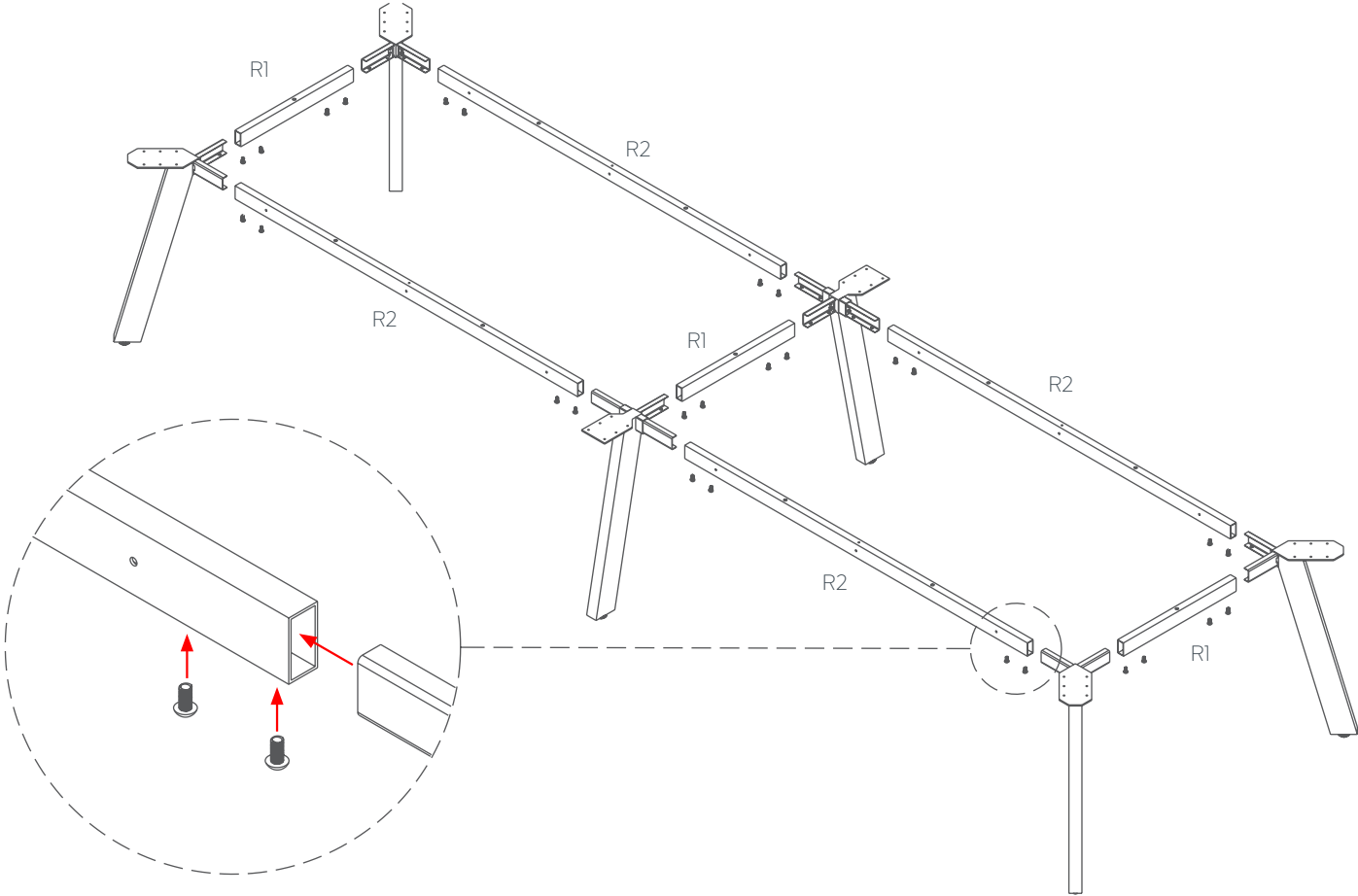
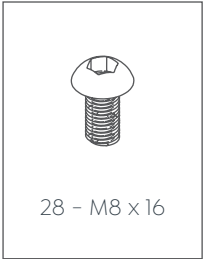
8 - M6 x 30mm



Flare 6 Leg Meeting Table

Assembly Instructions

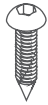
STEP 3:



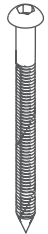
Flare 6 Leg Meeting Table

Assembly Instructions

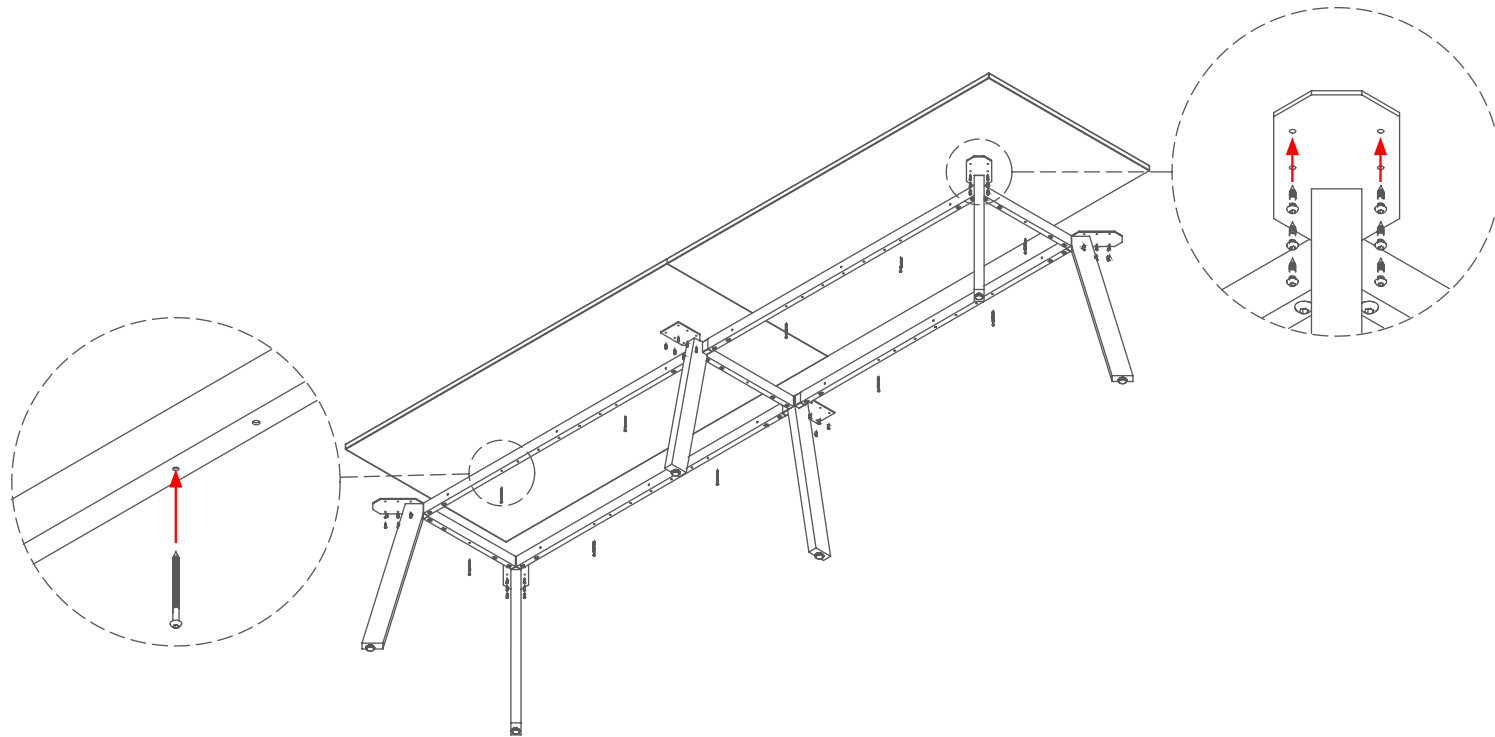
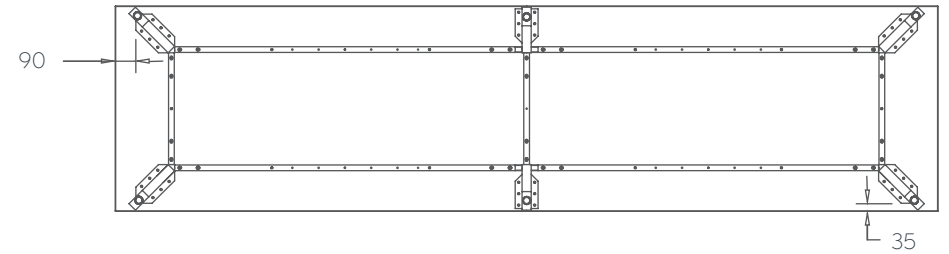
STEP 4:



36 - ST5 x 23



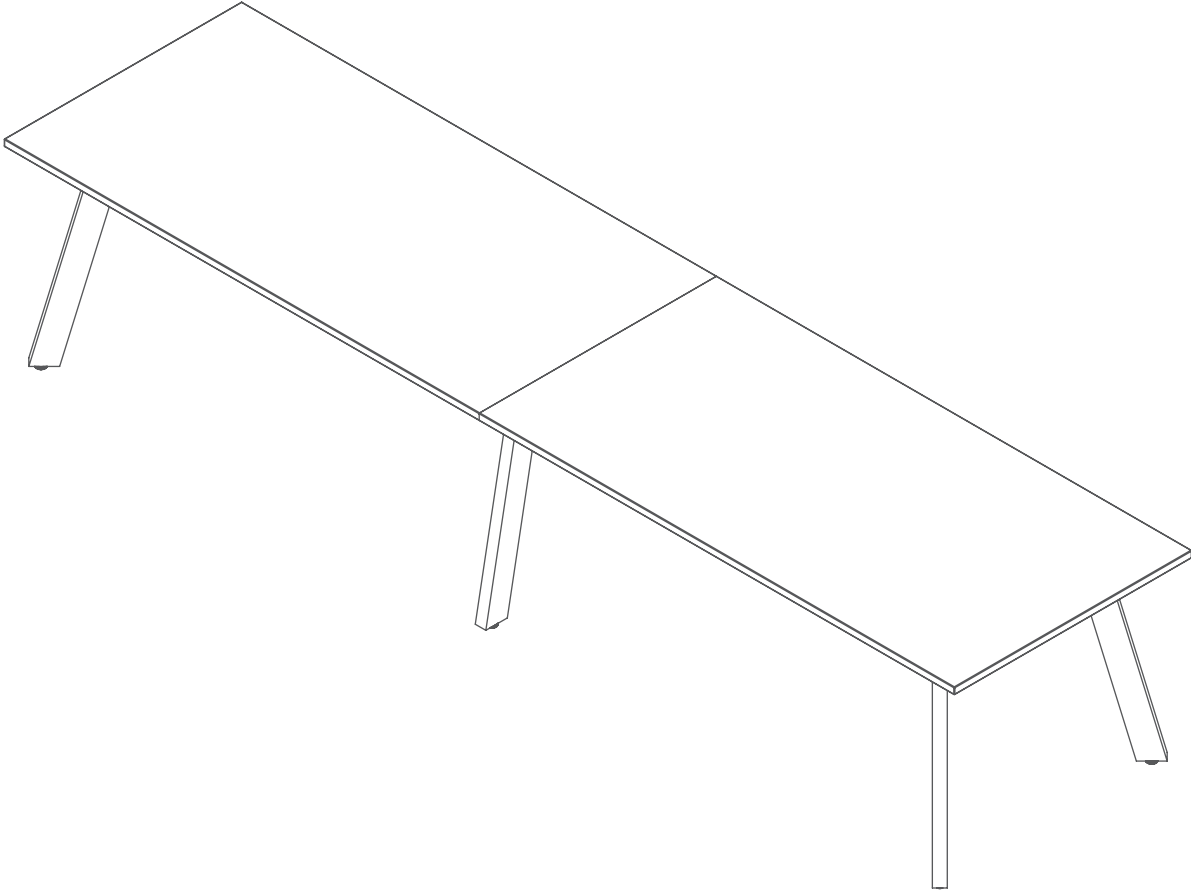
6 - ST5 x 70



Flare 6 Leg Meeting Table

Assembly Instructions

Complete:



www.sydneyofficefurniture.com.au

