

R5 BEAM SEATING

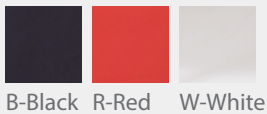
POD



FEATURES

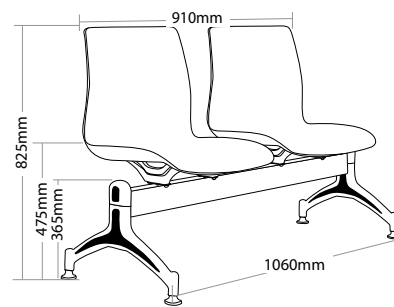
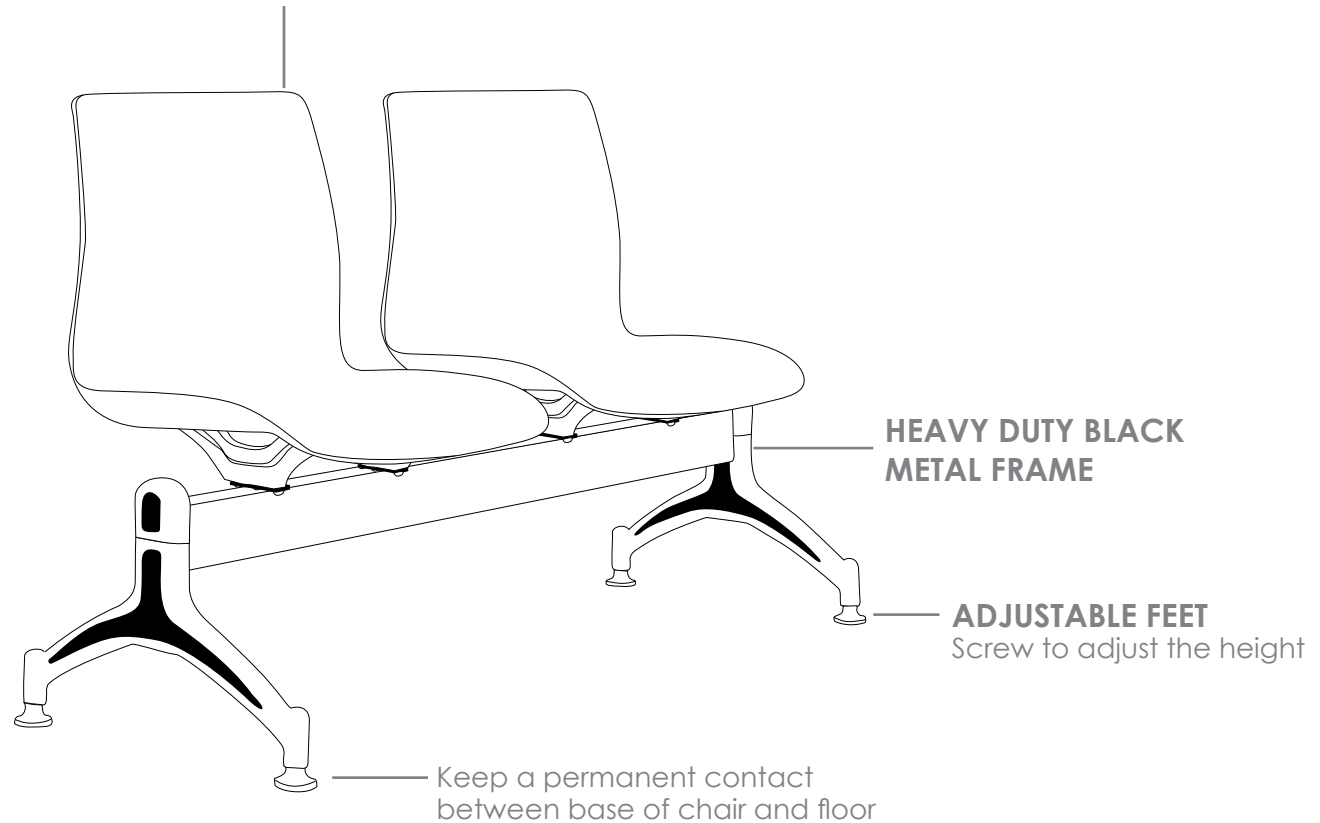
- » Optional 2, 3 or 4 seater
- » Heavy duty black metal beam frame
- » Adjustable feet
- » Available in local fabrics
- » Available in black, red and white plastic only
- » Suitable for indoor use
- » 4 Year warranty
- » Weight limit for 2 seater is 200kg
- » Weight limit for 3 seater is 300kg
- » Weight limit for 4 seater is 350kg

PLASTIC COLOUR

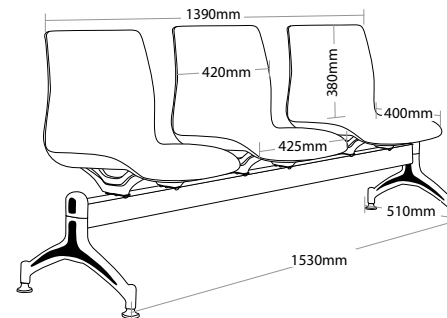


X Do not use as a step ladder

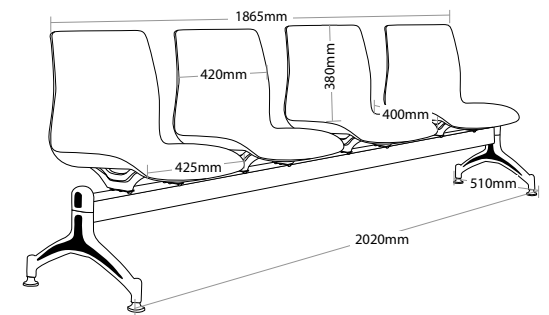
INDOOR USE ONLY



P-BEAM 2



P-BEAM 3



P-BEAM 4

POD BEAM SEATING



P-BEAM 2BU



P-BEAM 3RU



P-BEAM 4WU