

R1 TASK SEATING

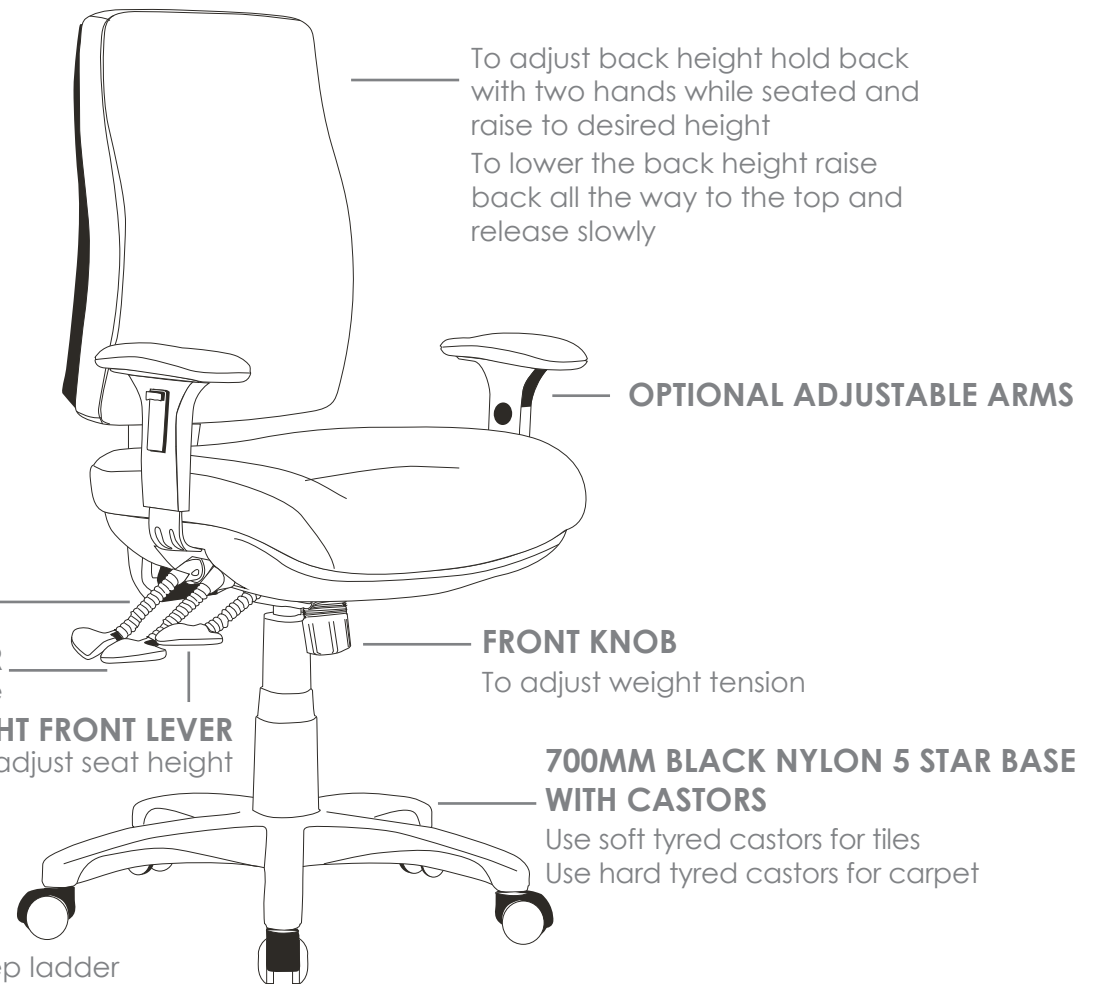
SPOT



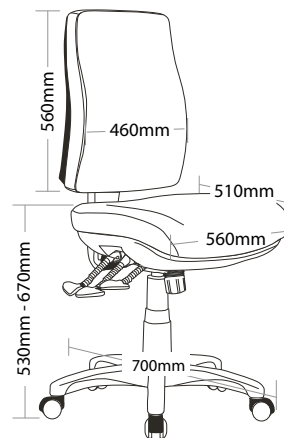
FEATURES

- » Adjustable seat height
- » Adjustable back height (ratchet)
- » Adjustable seat and back angle
- » Adjustable weight tension
- » Optional adjustable arms
- » Moulded seat and back foam
- » Mega big boy seat
- » 3 lever heavy duty ergonomic mechanism
- » 700mm black nylon base
- » Chair not available with drafting kit
- » Available in Metro black only
- » AFRDI tested to level 6
- » Minor assembly required
- » Suitable for indoor use only
- » 7 year warranty
- » Weight limit is 140kg

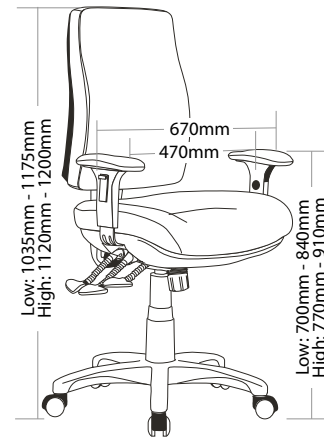
INDOOR USE ONLY



X Do not use as a step ladder



SPOT-H-MB



SPOT-HC-MB

SPOT TASK SEATING



SPOT-H-MB



SPOT-HC-MB



BACKVIEW