

# U.R

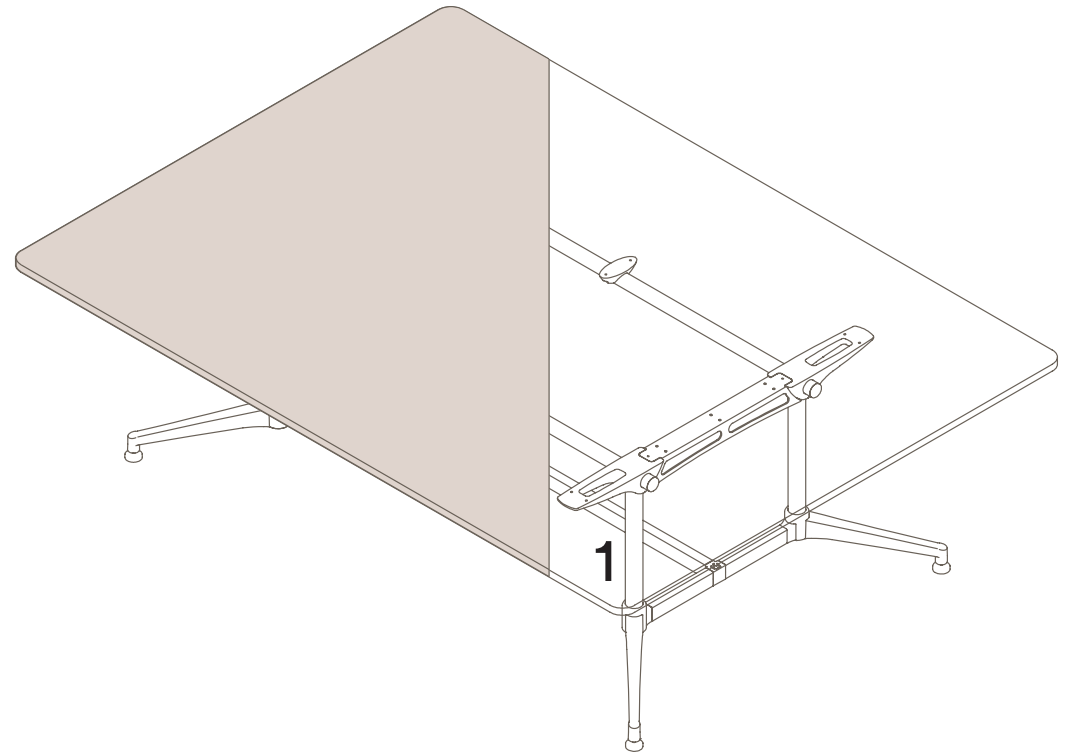
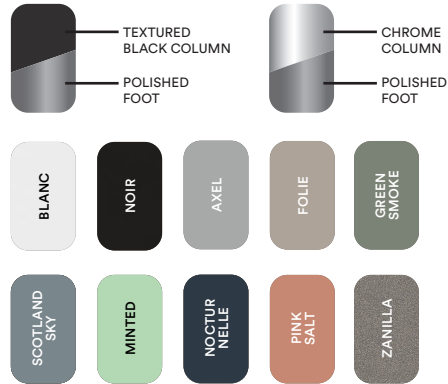
Flexible, versatile and environmentally-friendly...  
U.R is the smarter choice.

An environmentally considered table system, U.R draws on Life Cycle Assessments (LCA) to determine the most appropriate materials, and Finite Element Analysis (FEA) to ensure the strongest structure while eliminating waste. Skilfully designed for 100% disassembly, U.R is all ready for recycling.

# Table Finishes

## 1. Frame Finishes

Standard U.R frame finishes include black or chrome legs with a polished foot. U.R is also available in our current season powdercoat colours listed, with custom colour optional.



Colours are representative only, please check with your Thinking Works consultant to view samples of any specific colour.

# Tables

## Rectangle

### Materials Information

#### Leg Finish

Steel Leg Column

- a. Textured Black (standard)
- b. Chrome (standard)
- c. Blanc
- d. Noir
- e. Axel
- f. Folie
- g. Green Smoke
- h. Scotland Sky
- i. Minted
- j. Nocturnelle
- k. Pink Salt
- l. Zanilla

#### Foot Finish

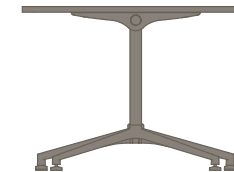
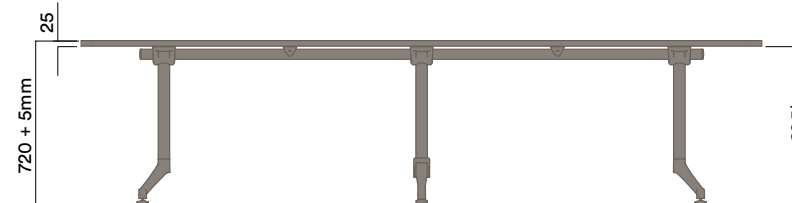
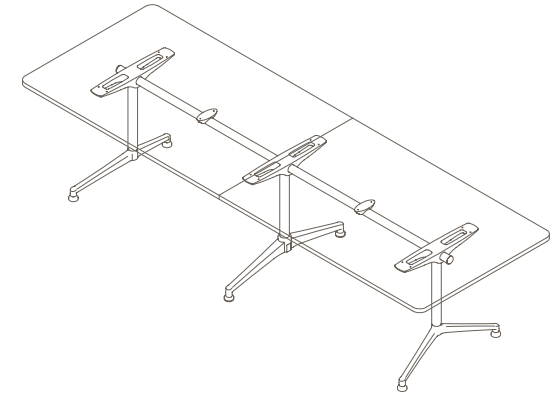
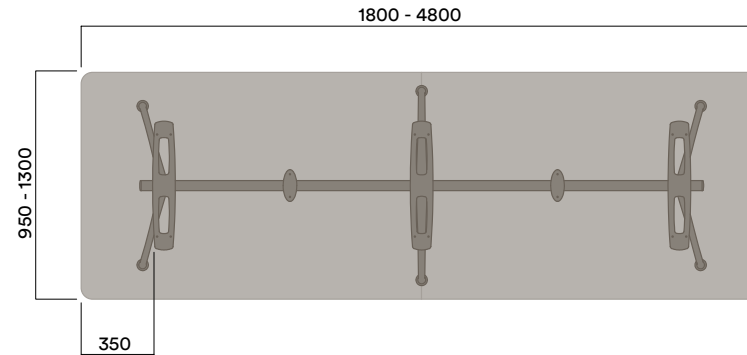
Aluminium Foot

- a. Polished (standard)
- b. Powdercoat (to match column)

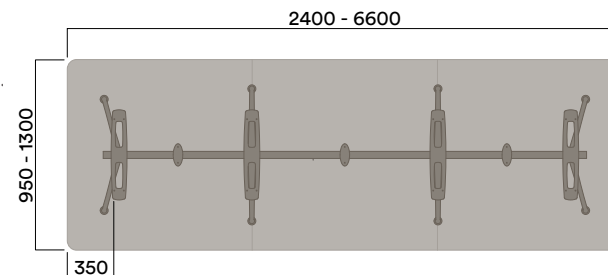
#### Frame Finish

Polished Aluminium Top Horn  
Steel Black Powdercoat Rails

### CN-1040



### CN-1041



* Maximum Custom Height	1000mm
Maximum inc. worktop	130kg
Maximum Point Load	50kg
Seats	6-18

  
sydney office furniture

# Tables Features

## Materials Information

### Frame Finish

Steel Slingshot

a. Powdercoat (to match frame)

Steel Power/Data Beam

a. Black Powdercoat

### Powerbox Slingshot

Suitable for CN-1040 and CN-1041 table frames

Replaces U.R leg column to provide placement of powerboxes without frame interference

Made to order to cater for specified powerbox requirements and size

Provides 75mm clearance around powerbox to ensure fitment without frame interference

### Power/Data Beam

Suitable for CN-1000, CN-1001 and CN-1002 frames

Suitable for CN-1010, CN-1011 and CN-1012 frames

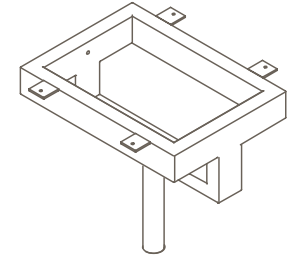
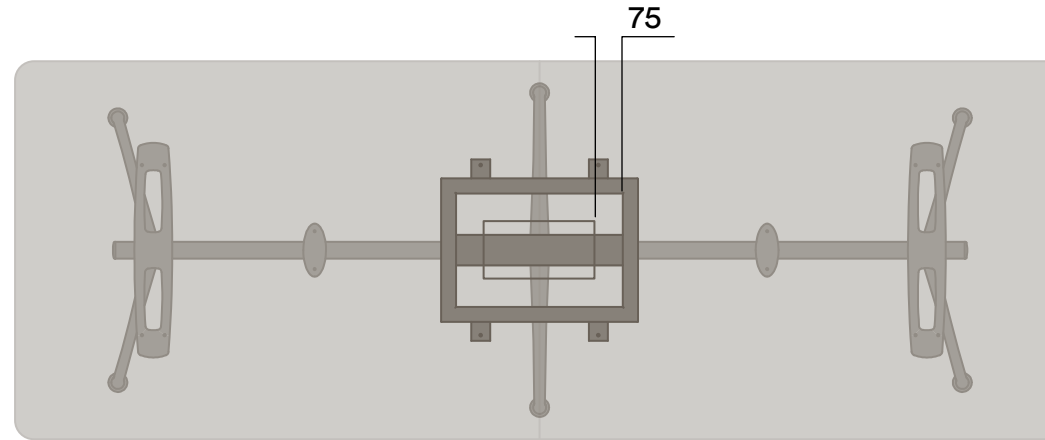
Replaces central rail to provide placement of powerboxes without frame interference

Made to order to cater for specified powerbox requirements and size

Provides 50mm clearance around powerbox to ensure fitment without frame interference

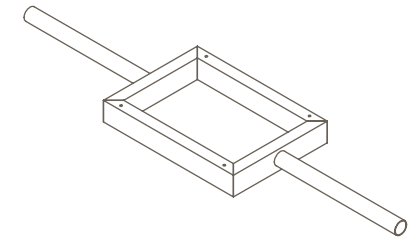
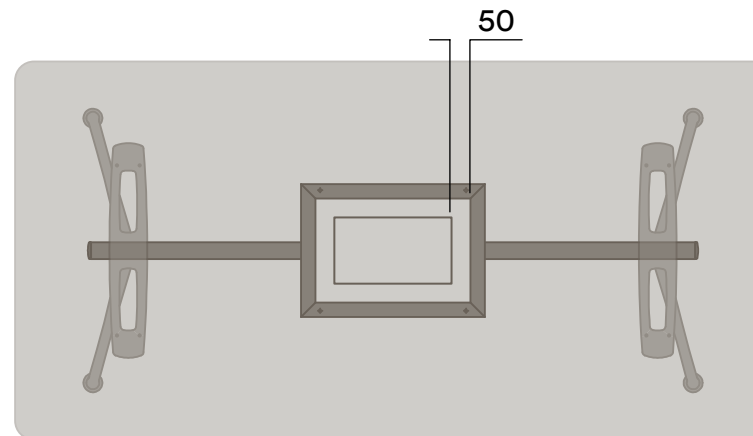
## Powerbox Management

## Slingshot



## Powerbox Management

## Power/Data Beam



  
sydney office furniture